

SCHILLING

PRODUCT RANGE

Aluminium Gantry Cranes



Aluminium Gantry Cranes

stationary, single beam	0,5 t + 1 t	3
stationary, single beam	1,5 t	7
stationary, double beam	1 t	11
stationary, double beam	1,5 t	15
stationary, double beam	2 t + 3 t	19
movable under load, single beam	0,5 t + 1 t + 1,5 t	23
movable under load, double beam	1 t + 1,5 t ▲ 4 m	27
movable under load, double beam	1 t ▲ 5 m - 8 m	31
movable under load, double beam	1,5 t ▲ 5 m - 8 m	35
movable under load, double beam	2 t	39
movable under load, double beam	3 t	43
Copyright and Liability regulations		47
Conditions of Sale, Delivery and Payment of SCHILLING Kran- und Hebetchnik GmbH		48

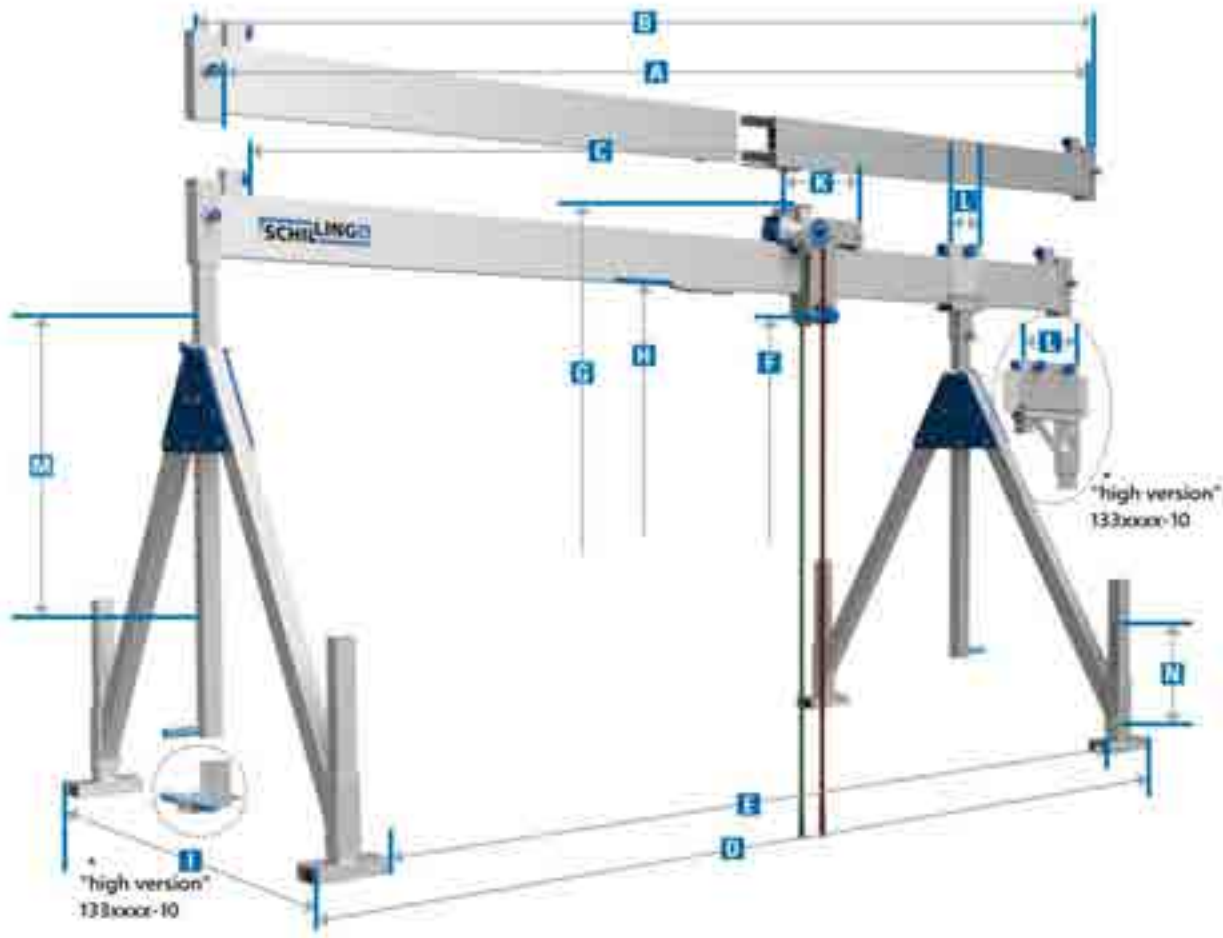


Aluminium Gantry Cranes

stationary, single beam

▲ 0,5 t + 1 t ▲ ⊥ ▲ —

09/2022



item no.	load capacity	beam length			total width of the crane		suspension point at the bolt of the trolley		total height		lower edge alu beam		lateral stand width	park-break trolley width	horizontal adjuster width	adjustment range		weight
		clear width	total	usable	outside	inside	min.	max.	min.	max.	min.	max.				beam support	adjustment foot	
	kg	A	B	C	D	E	F		G		H		I	K	L	M	N	kg
SMALL																		
1310540-10	500	4000	4090	3679	4250	3707	1249	2349	1695	2795	1327	2427	1297	480	221	700	400	109
1311040-10	1000	4000	4090	3679	4250	3707	1249	2349	1695	2795	1327	2427	1297	480	221	700	400	116
1311050-10	1000	5000	5164	4579	5277	4607	1249	2349	1695	2795	1327	2427	1297	480	221	700	400	127
1311060-10	1000	6000	6090	5679	6250	5707	1249	2349	1695	2795	1327	2427	1297	480	221	700	400	133
1311070-10	1000	7000	7164	6579	7277	6607	1249	2349	1695	2795	1327	2427	1297	480	221	700	400	174
1311080-10	1000	8000	8090	7679	8250	7707	1249	2349	1695	2795	1327	2427	1297	480	221	700	400	185
MEDIUM																		
1320540-10	500	4000	4090	3679	4250	3707	1730	2980	2175	3425	1808	3058	1736	480	221	850	400	116
1321040-10	1000	4000	4090	3679	4250	3707	1730	2980	2175	3425	1808	3058	1736	480	221	850	400	123
1321050-10	1000	5000	5164	4579	5277	4607	1730	2980	2175	3425	1808	3058	1736	480	221	850	400	134
1321060-10	1000	6000	6090	5679	6250	5707	1730	2980	2175	3425	1808	3058	1736	480	221	850	400	141
1321070-10	1000	7000	7164	6579	7277	6607	1730	2980	2175	3425	1808	3058	1736	480	221	850	400	181
1321080-10	1000	8000	8090	7679	8250	7707	1730	2980	2175	3425	1808	3058	1736	480	221	850	400	192
HIGH																		
1330540-10	500	4000	4100	3479	4234	3753	2310	4010	2755	4455	2388	4088	2238	480	421	1300	400	169
1331040-10	1000	4000	4100	3479	4234	3753	2310	4010	2755	4455	2388	4088	2238	480	421	1300	400	176
1331050-10	1000	5000	5184	4479	5261	4653	2310	4010	2755	4455	2388	4088	2238	480	421	1300	400	189
1331060-10	1000	6000	6100	5479	6234	5753	2310	4010	2755	4455	2388	4088	2238	480	421	1300	400	193
1331070-10	1000	7000	7184	6479	7261	6653	2310	4010	2755	4455	2388	4088	2238	480	421	1300	400	236
1331080-10	1000	8000	8100	7479	8234	7753	2310	4010	2755	4455	2388	4088	2238	480	421	1300	400	245



SMALL

item. no.		1310540-10	1311040-10	1311050-10	1311060-10	1311070-10	1311080-10
load capacity	kg	500	1000	1000	1000	1000	1000
beam length	mm	4000	4000	5000	6000	7000	8000
beam support	mm	61x61	61x61	61x61	61x61	61x61	61x61
beam profile	mm	220x60	220x60	220x60	220x60	220x60*	220x60*
beam housing left		sleeve 82x82 with bump stop	sleeve 82x82 with bump stop	sleeve 82x82 with bump stop	sleeve 82x82 with bump stop	sleeve 82x82 with bump stop	sleeve 82x82 with bump stop
beam housing right		end piece	end piece	sleeve 82x82 with bump stop	end piece	sleeve 82x82 with bump stop	end piece
total weight	kg	109	116	127	133	174	185
aluminium beam	kg	42	49	60	66	107	118
lateral stand, short beam support	kg	25	25	25	25	25	25
lateral stand, long beam support	kg	25	25	25	25	25	25
trolley	kg	12	12	12	12	12	12
horizontal adjuster	kg	4	4	4	4	4	4

* with larger profile thickness (inwards)

MEDIUM

item. no.		1320540-10	1321040-10	1321050-10	1321060-10	1321070-10	1321080-10
load capacity	kg	500	1000	1000	1000	1000	1000
beam length	mm	4000	4000	5000	6000	7000	8000
beam support	mm	61x61	61x61	61x61	61x61	61x61	61x61
beam profile	mm	220x60	220x60	220x60	220x60	220x60*	220x60*
beam housing left		sleeve 82x82 with bump stop	sleeve 82x82 with bump stop	sleeve 82x82 with bump stop	sleeve 82x82 with bump stop	sleeve 82x82 with bump stop	sleeve 82x82 with bump stop
beam housing right		end piece	end piece	sleeve 82x82 with bump stop	end piece	sleeve 82x82 with bump stop	end piece
total weight	kg	116	123	134	141	181	192
aluminium beam	kg	42	49	60	66	107	118
lateral stand, short beam support	kg	28	28	28	28	28	28
lateral stand, long beam support	kg	29	29	29	29	29	29
trolley	kg	12	12	12	12	12	12
horizontal adjuster	kg	4	4	4	4	4	4

* with larger profile thickness (inwards)

HIGH

item. no.		1330540-10	1331040-10	1331050-10	1331060-10	1331070-10	1331080-10
load capacity	kg	500	1000	1000	1000	1000	1000
beam length	mm	4000	4000	5000	6000	7000	8000
beam support	mm	71x71	71x71	71x71	71x71	71x71	71x71
beam profile	mm	220x60	220x60	220x60	220x60	220x60*	220x60*
beam housing left		sleeve 92x92 with bump stop	sleeve 92x92 with bump stop	sleeve 92x92 with bump stop	sleeve 92x92 with bump stop	sleeve 92x92 with bump stop	sleeve 92x92 with bump stop
beam housing right		end piece	end piece	sleeve 92x92 with bump stop	end piece	sleeve 92x92 with bump stop	end piece
total weight	kg	169	176	189	193	236	245
aluminium beam	kg	43	50	63	68	110	119
lateral stand, short beam support	kg	50	50	50	50	50	50
lateral stand, long beam support	kg	51	51	51	51	51	51
trolley	kg	13	13	13	13	13	13
horizontal adjuster	kg	11	11	11	11	11	11

* with larger profile thickness (inwards)



The aluminium gantry crane. Heavy loads, easily moved.

A height- and length-adjustable crane system that offers maximum flexibility thanks to its variable adjustment options.

The SCHILLING aluminium gantry crane can be erected and dismantled in a very short time and with relatively little effort.

No structural modifications (e.g. dowel fastenings or similar) are necessary. Lightweight construction, with extremely high stability.

In the stationary version, the height of the four adjustable feet can be set individually and independently of each other and thus optimally adapted to the local conditions. Absolute stability for all load applications.

Crane components

Two lateral stands

with height adjustable beam support – distance between holes 50 mm

with two height adjustable adjustment feet – distance between holes 40 mm

The lateral stands can be folded up effortlessly and can therefore be stowed, stored, and transported in a space-saving manner.



Lifting handle for 133xxx-10 "high"

One fixable park brake trolley

The trolley is used to hold the chain hoist or alternatively the lifting straps.

Even under full load, the trolley is infinitely adjustable and can be locked in any position.



Two bump stops

As collision protection for the trolley

One aluminium beam

Separable resp. pluggable aluminium beam.

The aluminium beam can be taken apart, e.g., for transport or storage purposes, and is therefore extremely space-saving.

The aluminium beam is relatively light, mobile, quick, and easy to assemble.

One of the two pieces can be used as a single beam (the one with the sleeve).



One integrated horizontal adjuster

Through the use of the horizontal adjuster the usable length of the aluminium Gantry Crane can be adjusted smoothly between the two lateral stands.

The running track width of the aluminium beam is variable.

This guarantees a higher level of flexibility for the user.



Perfection in detail.

The sum of good ideas and well-thought-out detailed solutions result in a coherent overall picture. This is how a SCHILLING gantry crane becomes what it is. A perfect tool for professional use.

Extremely easy handling due to consistent lightweight construction in aluminium combined with maximum stability and work safety. Heavy loads moved easily, the handling of SCHILLING crane systems is conceivably simple and to the point.

- ▲ Space-saving due to foldable and separable crane components
- ▲ Simple and quick assembly with minimal manpower, no tools required
- ▲ Easy transport to the place of use due to compact packing size

Accessory

Original accessories from SCHILLING, what else. Exact fit to all SCHILLING components, in the usual perfection and quality "Made in Germany".

chain hoist



cable system / power supply



manual trolley
direction band



hand winch for
height adjustment



packing and
transportation box



wall bracket



wheel kit for indoor
and outdoor usage



lateral extension beam

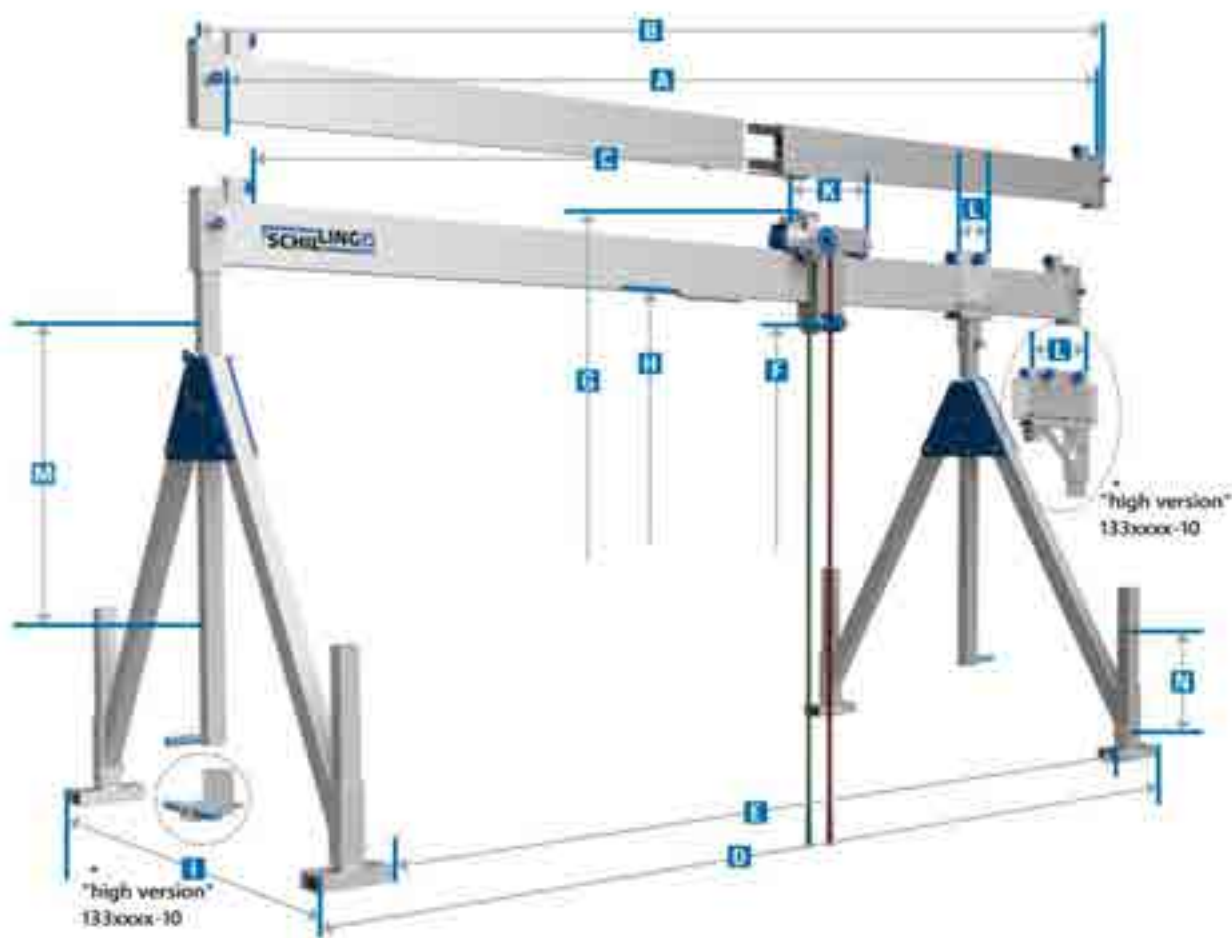


Aluminium Gantry Cranes

stationary, single beam

▲ 1,5 t ▲ ↓ ▲ —

09/2022



item no.	load capacity	beam length			total width of the crane		suspension point at the bolt of the trolley		total height		lower edge alu beam		lateral stand	park-break trolley	horizontal adjuster	adjustment range		weight
		clear width	total	usable	outside	inside	min.	max.	min.	max.	min.	max.				width	width	
	kg	A	B	C	D	E	F		G		H		I	K	L	M	N	kg
		mm	mm	mm	mm	mm	mm	mm	mm	mm	mm	mm	mm	mm	mm	mm	mm	mm
SMALL																		
1311540-10	1500	4000	4090	3679	4250	3707	1249	2349	1695	2795	1327	2427	1297	480	221	700	400	116
1311550-10	1500	5000	5164	4579	5277	4607	1249	2349	1695	2795	1327	2427	1297	480	221	700	400	148
1311560-10	1500	6000	6090	5679	6250	5707	1249	2349	1695	2795	1327	2427	1297	480	221	700	400	159
MEDIUM																		
1321540-10	1500	4000	4090	3679	4250	3707	1730	2980	2175	3425	1808	3058	1736	480	221	850	400	123
1321550-10	1500	5000	5164	4579	5277	4607	1730	2980	2175	3425	1808	3058	1736	480	221	850	400	155
1321560-10	1500	6000	6090	5679	6250	5707	1730	2980	2175	3425	1808	3058	1736	480	221	850	400	166
HIGH																		
1331540-10	1500	4000	4100	3479	4234	3753	2310	4010	2755	4455	2388	4088	2238	480	421	1300	400	176
1331550-10	1500	5000	5184	4479	5261	4653	2310	4010	2755	4455	2388	4088	2238	480	421	1300	400	210
1331560-10	1500	6000	6100	5479	6234	5753	2310	4010	2755	4455	2388	4088	2238	480	421	1300	400	219



Aluminium Gantry Cranes

stationary, single beam

▲ 1,5 t ▲ ↓ ▲ —

2020/09

SMALL

item. no.		1311540-10	1311550-10	1311560-10
load capacity	kg	1500	1500	1500
beam length	mm	4000	5000	6000
beam support	mm	61x61	61x61	61x61
beam profile	mm	220x60	220x60*	220x60*
beam housing left		sleeve 82x82 with bump stop	sleeve 82x82 with bump stop	sleeve 82x82 with bump stop
beam housing right		end piece	sleeve 82x82 with bump stop	end piece
total weight	kg	116	148	159
aluminium beam	kg	49	81	92
lateral stand, short beam support	kg	25	25	25
lateral stand, long beam support	kg	25	25	25
trolley	kg	12	12	12
horizontal adjuster	kg	4	4	4

* with larger profile thickness (inwards)

MEDIUM

item. no.		1321540-10	1321550-10	1321560-10
load capacity	kg	1500	1500	1500
beam length	mm	4000	5000	6000
beam support	mm	61x61	61x61	61x61
beam profile	mm	220x60	220x60*	220x60*
beam housing left		sleeve 82x82 with bump stop	sleeve 82x82 with bump stop	sleeve 82x82 with bump stop
beam housing right		end piece	sleeve 82x82 with bump stop	end piece
total weight	kg	123	155	166
aluminium beam	kg	49	81	92
lateral stand, short beam support	kg	28	28	28
lateral stand, long beam support	kg	29	29	29
trolley	kg	12	12	12
horizontal adjuster	kg	4	4	4

* with larger profile thickness (inwards)

HIGH

item. no.		1331540-10	1331550-10	1331560-10
load capacity	kg	1500	1500	1500
beam length	mm	4000	5000	6000
beam support	mm	71x71	71x71	71x71
beam profile	mm	220x60	220x60*	220x60*
beam housing left		sleeve 92x92 with bump stop	sleeve 92x92 with bump stop	sleeve 92x92 with bump stop
beam housing right		end piece	sleeve 92x92 with bump stop	end piece
total weight	kg	176	210	219
aluminium beam	kg	50	84	93
lateral stand, short beam support	kg	50	50	50
lateral stand, long beam support	kg	51	51	51
trolley	kg	13	13	13
horizontal adjuster	kg	11	11	11

* with larger profile thickness (inwards)



The aluminum gantry crane. Accurate work made easy.

Even with higher load capacities, the load can be moved precisely and easily on the aluminum beam via the trolley. This enables the load to be placed with absolute pinpoint accuracy, facilitates precise work, and ensures greater efficiency.

Absolute stability is the second important criterion. In the stationary version, the height of the four adjustable feet can be set individually and independently of each other and thus optimally adapted to the local conditions, e.g. on uneven terrain on a construction site. Perfection with the original SCHILLING, absolute stability for all load applications.

Crane components

▲ Two lateral stands

with height adjustable beam support – distance between holes 50 mm

with two height adjustable adjustment feet – distance between holes 40 mm

The lateral stands can be folded up effortlessly and can therefore be stowed, stored, and transported in a space-saving manner.



Lifting handle for 133xxx-10 "high"

▲ One fixable park brake trolley

The trolley is used to hold the chain hoist or alternatively the lifting straps.

Even under full load, the trolley is infinitely adjustable and can be locked in any position.



▲ Two bump stops

As collision protection for the trolley

▲ One aluminium beam

Separable resp. pluggable aluminium beam.

The aluminium beam can be taken apart, e.g., for transport or storage purposes, and is therefore extremely space-saving.

The aluminium beam is relatively light, mobile, quick, and easy to assemble.

One of the two pieces can be used as a single beam (the one with the sleeve).



▲ One integrated horizontal adjuster

Through the use of the horizontal adjuster the usable length of the aluminium Gantry Crane can be adjusted smoothly between the two lateral stands.

The running track width of the aluminium beam is variable.

This guarantees a higher level of flexibility for the user.



Made to perfection – one component fits the other!

The interaction of the individual components is what counts. What belongs together is quite simple. What is not noticeable in daily handling or is noticeable at all: we pay special attention to the coordination of the individual components. Everything together results in an original SCHILLING crane with perfect quality "Made in Germany", yes that is what we value, only in this way can we meet our own quality standards. Made to perfection – one component fits the other.

- ▲ Space-saving due to foldable and separable crane components
- ▲ Simple and quick assembly with minimal manpower, no tools required
- ▲ Easy transport to the place of use due to compact packing size

Accessory

chain hoist



cable system / power supply



manual trolley
direction band



hand winch for
height adjustment



packing and
transportation box



wall bracket



wheel kit for indoor
and outdoor usage



lateral extension beam

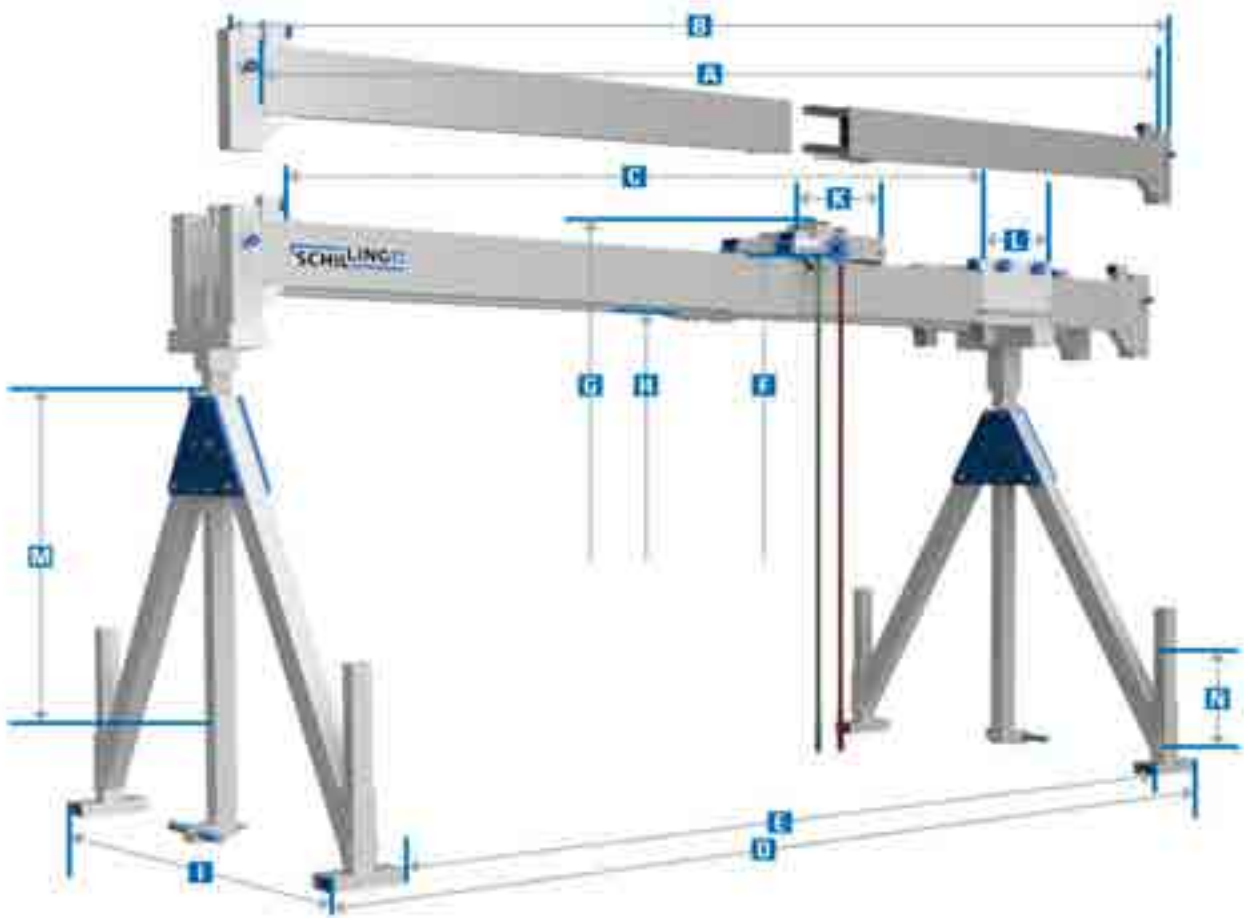


Aluminium Gantry Cranes

stationary, double beam



09/2022



item no.	load capacity	beam length			total width of the crane		suspension point at the bolt of the trolley		total height		lower edge alu beam		lateral stand width	park-break trolley width	horizontal adjuster width	adjustment range		weight
		clear width	total	usable	outside	inside	min.	max.	min.	max.	min.	max.				beam support	adjustment foot	
	kg	A	B	C	D	E	F		G		H		I	K	L	M	N	kg

SMALL

1511040-10	1000	4000	4100	3479	4228	3747	1785	2835	1885	2935	1518	2568	1308	480	421	650	400	224
1511050-10	1000	5000	5184	4479	5261	4647	1785	2835	1885	2935	1518	2568	1308	480	421	650	400	249
1511060-10	1000	6000	6100	5479	6228	5747	1785	2835	1885	2935	1518	2568	1308	480	421	650	400	259
1511070-10	1000	7000	7184	6479	7261	6647	1785	2835	1885	2935	1518	2568	1308	480	421	650	400	284
1511080-10	1000	8000	8100	7479	8228	7747	1785	2835	1885	2935	1518	2568	1308	480	421	650	400	294

MEDIUM

1521040-10	1000	4000	4100	3479	4228	3747	2155	3655	2255	3755	1888	3388	1731	480	421	1100	400	239
1521050-10	1000	5000	5184	4479	5261	4647	2155	3655	2255	3755	1888	3388	1731	480	421	1100	400	264
1521060-10	1000	6000	6100	5479	6228	5747	2155	3655	2255	3755	1888	3388	1731	480	421	1100	400	273
1521070-10	1000	7000	7184	6479	7261	6647	2155	3655	2255	3755	1888	3388	1731	480	421	1100	400	299
1521080-10	1000	8000	8100	7479	8228	7747	2155	3655	2255	3755	1888	3388	1731	480	421	1100	400	308

HIGH

1531040-10	1000	4000	4100	3479	4228	3747	2655	4355	2755	4455	2388	4088	2238	480	421	1300	400	254
1531050-10	1000	5000	5184	4479	5261	4647	2655	4355	2755	4455	2388	4088	2238	480	421	1300	400	279
1531060-10	1000	6000	6100	5479	6244	5753	2786	4336	2887	4437	2519	4069	2214	480	421	1150	400	310
1531070-10	1000	7000	7184	6479	7266	6653	2786	4336	2887	4437	2519	4069	2214	480	421	1150	400	336
1531080-10	1000	8000	8100	7479	8244	7753	2786	4336	2887	4437	2519	4069	2214	480	421	1150	400	345



Aluminium Gantry Cranes

stationary, double beam



09/2022

SMALL

item. no.		1511040-10	1511050-10	1511060-10	1511070-10	1511080-10
load capacity	kg	1000	1000	1000	1000	1000
beam length	mm	4000	5000	6000	7000	8000
beam support	mm	71x71	71x71	71x71	71x71	71x71
beam profile	mm	220x60	220x60	220x60	220x60	220x60
beam housing left		sleeve 92x92 with bump stop	sleeve 92x92 with bump stop	sleeve 92x92 with bump stop	sleeve 92x92 with bump stop	sleeve 92x92 with bump stop
beam housing right		end piece	sleeve 92x92 with bump stop	end piece	sleeve 92x92 with bump stop	end piece
total weight	kg	224	249	259	284	294
aluminium beam	kg	101	126	135	161	170
lateral stand, short beam support	kg	35	35	35	35	35
lateral stand, long beam support	kg	35	35	35	35	35
trolley	kg	18	18	18	18	18
horizontal adjuster	kg	23	23	23	23	23
various components	kg	12	12	13	12	13

MEDIUM

item. no.		1521040-10	1521050-10	1521060-10	1521070-10	1521080-10
load capacity	kg	1000	1000	1000	1000	1000
beam length	mm	4000	5000	6000	7000	8000
beam support	mm	71x71	71x71	71x71	71x71	71x71
beam profile	mm	220x60	220x60	220x60	220x60	220x60
beam housing left		sleeve 92x92 with bump stop	sleeve 92x92 with bump stop	sleeve 92x92 with bump stop	sleeve 92x92 with bump stop	sleeve 92x92 with bump stop
beam housing right		end piece	sleeve 92x92 with bump stop	end piece	sleeve 92x92 with bump stop	end piece
total weight	kg	239	264	273	299	308
aluminium beam	kg	101	126	135	161	170
lateral stand, short beam support	kg	42	42	42	42	42
lateral stand, long beam support	kg	42	42	42	42	42
trolley	kg	18	18	18	18	18
horizontal adjuster	kg	23	23	23	23	23
various components	kg	14	13	13	13	13

HIGH

item. no.		1531040-10	1531050-10	1531060-10	1531070-10	1531080-10
load capacity	kg	1000	1000	1000	1000	1000
beam length	mm	4000	5000	6000	7000	8000
beam support	mm	71x71	71x71	81x81	81x81	81x81
beam profile	mm	220x60	220x60	220x60	220x60	220x60
beam housing left		sleeve 92x92 with bump stop	sleeve 92x92 with bump stop	sleeve 92x92 with bump stop	sleeve 92x92 with bump stop	sleeve 92x92 with bump stop
beam housing right		end piece	sleeve 92x92 with bump stop	end piece	sleeve 92x92 with bump stop	end piece
total weight	kg	254	279	310	336	345
aluminium beam	kg	101	126	135	161	170
lateral stand, short beam support	kg	50	50	61	61	61
lateral stand, long beam support	kg	50	50	61	61	61
trolley	kg	18	18	18	18	18
horizontal adjuster	kg	23	23	23	23	23
various components	kg	12	12	12	12	12



The Alu-gantry crane. The double beam system – more lifting height, more stability, more possibilities!

With the double beam system, the maximum lift can be used in relation to the total height, or in simpler terms – we achieve more lifting height. This and the significantly higher load capacity due to the use of double beam again decisively extends the range of applications. Heavier, higher...and all this with the usual precision in handling, typical SCHILLING!

Crane components

Two lateral stands

with height adjustable beam support – distance between holes 50 mm

with two height adjustable adjustment feet – distance between holes 40 mm

The lateral stands can be folded up effortlessly and can therefore be stowed, stored, and transported in a space-saving manner.



One overhead lockable trolley

The trolley is used to hold the chain hoist or alternatively the lifting straps. Due to the overhead trolley, the maximum stroke can be used in relation to the total height.

Even under full load, the trolley is infinitely adjustable and can be locked in any position.



Four bump stops

As collision protection for the trolley

One beam mounting

This fixes the two aluminium supports in exact parallelism.

One set of aluminium double beams

Separable resp. pluggable aluminium beam.

The aluminium beam can be taken apart, e.g., for transport or storage purposes, and is therefore extremely space-saving.

The aluminium beam is relatively light, mobile, quick, and easy to assemble (a set consists of two single beams).



One integrated horizontal adjuster

Through the use of the horizontal adjuster the usable length of the aluminium Gantry Crane can be adjusted smoothly between the two lateral stands.

The running track width of the aluminium beam is variable.

This guarantees a higher level of flexibility for the user.



Quickly ready for use with a few simple steps.

The SCHILLING aluminum gantry crane can be assembled and disassembled within a very short time and in just a few steps. No structural modifications (e.g. dowel fastenings or similar) are necessary. Consistent lightweight construction made of aluminum, with extremely high stability and the perfect interaction of the crane components ensures the simplest and absolutely precise handling of our crane systems.

- ▲ Space-saving due to foldable and separable crane components
- ▲ Simple and quick assembly with minimal manpower, no tools required
- ▲ Easy transport to the place of use due to compact packing size

Accessory

Original accessories from SCHILLING, what else. Exact fit to all SCHILLING components, in the usual perfection and quality "Made in Germany".

chain hoist



cable system / power supply



manual trolley
direction band



hand winch for
height adjustment



packing and
transportation box



wall bracket



wheel kit for indoor
and outdoor usage



lateral extension beam

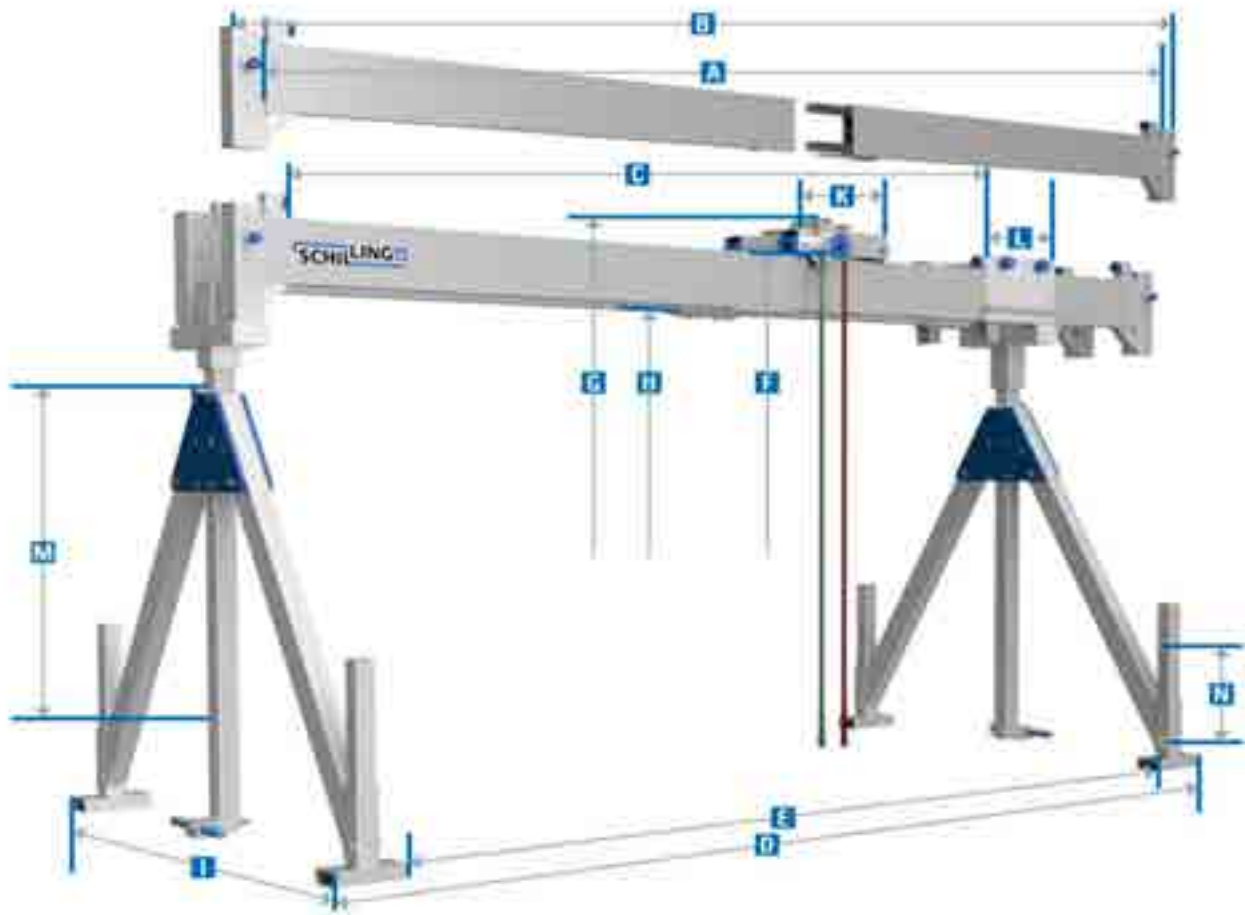


Aluminium Gantry Cranes

stationary, double beam

▲ 1,5 t ▲ ↓ ▲ ≡

09/2022



item no.	load capacity	beam length			total width of the crane		suspension point at the bolt of the trolley		total height		lower edge alu beam		lateral stand width	park-break trolley width	horizontal adjuster width	adjustment range		weight
		clear width	total	usable	outside	inside	min.	max.	min.	max.	min.	max.				beam support	adjustment foot	
	kg	A	B	C	D	E	F		G		H		I	K	L	M	N	kg
		mm	mm	mm	mm	mm	mm	mm	mm	mm	mm	mm	mm	mm	mm	mm	mm	mm

SMALL

1511540-10	1500	4000	4100	3479	4228	3747	1785	2835	1885	2935	1518	2568	1308	480	421	650	400	224
1511550-10	1500	5000	5184	4479	5261	4647	1785	2835	1885	2935	1518	2568	1308	480	421	650	400	249
1511560-10	1500	6000	6100	5479	6228	5747	1785	2835	1885	2935	1518	2568	1308	480	421	650	400	259
1511570-10	1500	7000	7184	6479	7261	6647	1785	2835	1885	2935	1518	2568	1308	480	421	650	400	284
1511580-10	1500	8000	8100	7479	8228	7747	1785	2835	1885	2935	1518	2568	1308	480	421	650	400	294

MEDIUM

1521540-10	1500	4000	4100	3479	4228	3747	2155	3655	2255	3755	1888	3388	1731	480	421	1100	400	239
1521550-10	1500	5000	5184	4479	5261	4647	2155	3655	2255	3755	1888	3388	1731	480	421	1100	400	264
1521560-10	1500	6000	6100	5479	6228	5747	2155	3655	2255	3755	1888	3388	1731	480	421	1100	400	273
1521570-10	1500	7000	7184	6479	7261	6647	2155	3655	2255	3755	1888	3388	1731	480	421	1100	400	299
1521580-10	1500	8000	8100	7479	8228	7747	2155	3655	2255	3755	1888	3388	1731	480	421	1100	400	308

HIGH

1531540-10	1500	4000	4100	3479	4228	3747	2655	4355	2755	4455	2388	4088	2238	480	421	1300	400	254
1531550-10	1500	5000	5184	4479	5261	4647	2655	4355	2755	4455	2388	4088	2238	480	421	1300	400	279
1531560-10	1500	6000	6100	5479	6144	5653	2786	4336	2887	4437	2519	4069	2214	480	421	1150	400	310
1531570-10	1500	7000	7184	6479	7266	6653	2786	4336	2887	4437	2519	4069	2214	480	421	1150	400	336
1531580-10	1500	8000	8100	7479	8244	7753	2786	4336	2887	4437	2519	4069	2214	480	421	1150	400	345



SMALL

item. no.		1511540-10	1511550-10	1511560-10	1511570-10	1511580-10
load capacity	kg	1500	1500	1500	1500	1500
beam length	mm	4000	5000	6000	7000	8000
beam support	mm	71x71	71x71	71x71	71x71	71x71
beam profile	mm	220x60	220x60	220x60	220x60	220x60
beam housing left		sleeve 92x92 with bump stop	sleeve 92x92 with bump stop	sleeve 92x92 with bump stop	sleeve 92x92 with bump stop	sleeve 92x92 with bump stop
beam housing right		end piece	sleeve 92x92 with bump stop	end piece	sleeve 92x92 with bump stop	end piece
total weight	kg	224	249	259	284	294
aluminium beam	kg	101	126	135	161	170
lateral stand, short beam support	kg	35	35	35	35	35
lateral stand, long beam support	kg	35	35	35	35	35
trolley	kg	18	18	18	18	18
horizontal adjuster	kg	23	23	23	23	23
various components	kg	12	12	13	12	13

MEDIUM

item. no.		1521540-10	1521550-10	1521560-10	1521570-10	1521580-10
load capacity	kg	1500	1500	1500	1500	1500
beam length	mm	4000	5000	6000	7000	8000
beam support	mm	71x71	71x71	71x71	71x71	71x71
beam profile	mm	220x60	220x60	220x60	220x60	220x60
beam housing left		sleeve 92x92 with bump stop	sleeve 92x92 with bump stop	sleeve 92x92 with bump stop	sleeve 92x92 with bump stop	sleeve 92x92 with bump stop
beam housing right		end piece	sleeve 92x92 with bump stop	end piece	sleeve 92x92 with bump stop	end piece
total weight	kg	239	264	273	299	308
aluminium beam	kg	101	126	135	161	170
lateral stand, short beam support	kg	42	42	42	42	42
lateral stand, long beam support	kg	42	42	42	42	42
trolley	kg	18	18	18	18	18
horizontal adjuster	kg	23	23	23	23	23
various components	kg	13	13	13	13	13

HIGH

item. no.		1531540-10	1531550-10	1531560-10	1531570-10	1531580-10
load capacity	kg	1500	1500	1500	1500	1500
beam length	mm	4000	5000	6000	7000	8000
beam support	mm	71x71	71x71	81x81	81x81	81x81
beam profile	mm	220x60	220x60	220x60	220x60	220x60
beam housing left		sleeve 92x92 with bump stop	sleeve 92x92 with bump stop	sleeve 92x92 with bump stop	sleeve 92x92 with bump stop	sleeve 92x92 with bump stop
beam housing right		end piece	sleeve 92x92 with bump stop	end piece	sleeve 92x92 with bump stop	end piece
total weight	kg	254	279	310	336	345
aluminium beam	kg	101	126	135	161	170
lateral stand, short beam support	kg	50	50	61	61	61
lateral stand, long beam support	kg	50	50	61	61	61
trolley	kg	18	18	18	18	18
horizontal adjuster	kg	23	23	23	23	23
various components	kg	12	12	12	12	12



Many variations – one gantry crane!

Heavier, higher, further... This is how you could describe the expandability of the SCHILLING-Alu gantry crane systems. Beam lengths of up to 8m hardly stop at any application, making the aluminum gantry cranes virtually an indispensable universal tool. The individual customization options are extensive and leave hardly any wishes unfulfilled. The right configuration can be put together for almost any application – a glance at our dimension tables is enough – a maximum of variety ensures exact configuration options, perfectly tailored to your needs.

Do you need advice or dimensions beyond the normal grid dimensions? We will be happy to advise you.

Crane components

Two lateral stands

with height adjustable beam support – distance between holes 50 mm

with two height adjustable adjustment feet – distance between holes 40 mm

The lateral stands can be folded up effortlessly and can therefore be stowed, stored, and transported in a space-saving manner.



One overhead lockable trolley

The trolley is used to hold the chain hoist or alternatively the lifting straps. Due to the overhead trolley, the maximum lift can be used in relation to the total height.

Even under full load, the trolley is infinitely adjustable and can be locked in any position.



Four bump stops

As collision protection for the trolley

One beam mounting

This fixes the two aluminium supports in exact parallelism.

One set of aluminium double beams

Separable resp. pluggable aluminium beam.

The aluminium beam can be taken apart, e.g., for transport or storage purposes, and is therefore extremely space-saving.

The aluminium beam is relatively light, mobile, quick, and easy to assemble (a set consists of two single beams).



One integrated horizontal adjuster

Through the use of the horizontal adjuster the usable length of the aluminium Gantry Crane can be adjusted smoothly between the two lateral stands.

The running track width of the aluminium beam is variable.

This guarantees a higher level of flexibility for the user.



Even more variations, even more possibilities

The variation possibilities of the SCHILLING crane system can be further increased by the intelligent use of accessories. From the possibility of mounting directly on the wall by means of a specially designed wall bracket, possibilities for convenient height adjustment or practical and space-saving transport and storage containers when the crane is not in use: We think things through to the end, create possibilities to make the handling of our crane systems as simple and convenient as possible.

- ▲ Space-saving due to foldable and separable crane components
- ▲ Simple and quick assembly with minimal manpower, no tools required
- ▲ Easy transport to the place of use due to compact packing size

Accessory

chain hoist



cable system / power supply



manual trolley
direction band



hand winch for
height adjustment



packing and
transportation box



wall bracket



wheel kit for indoor
and outdoor usage



lateral extension beam



Aluminium Gantry Cranes

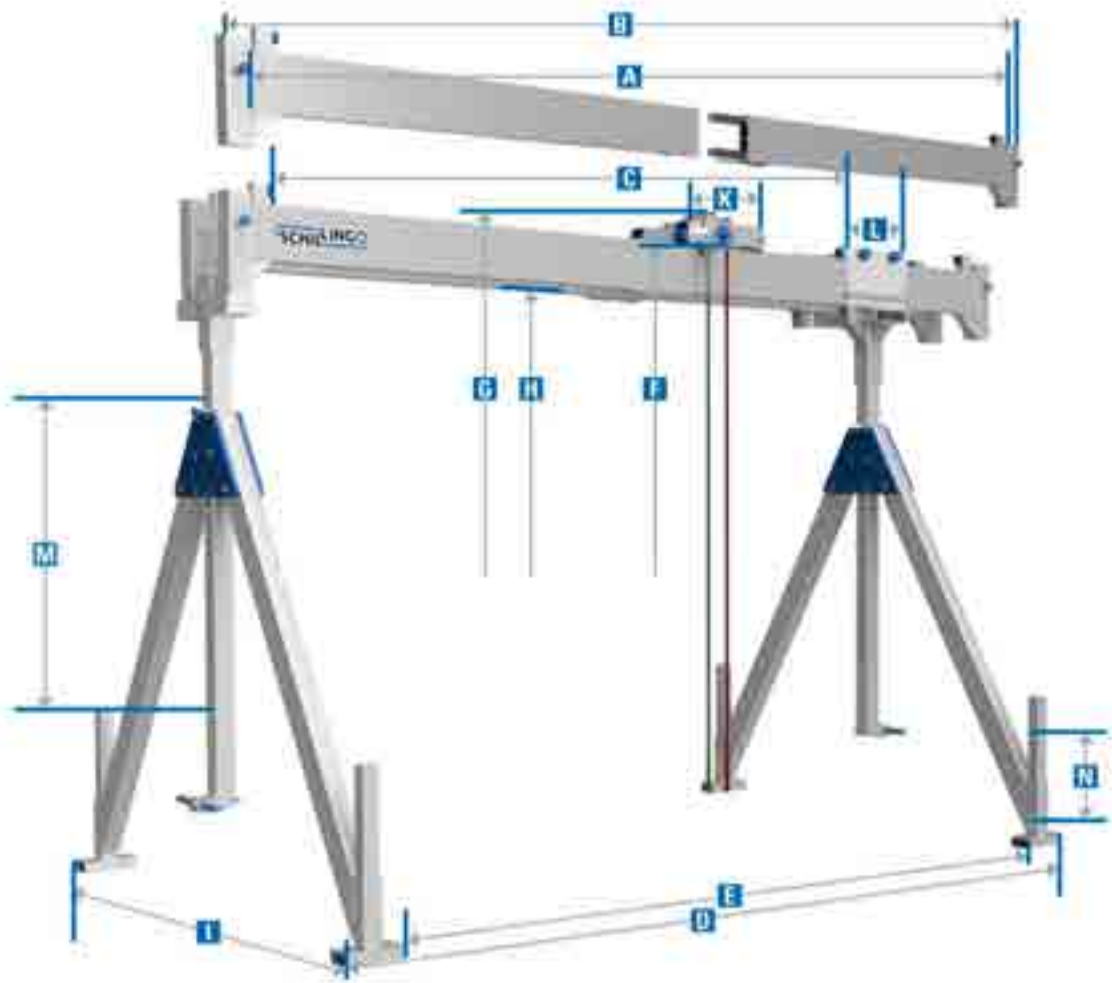
stationary, double beam



2 t + 3 t



09/2022



item no.	load capacity	beam length			total width of the crane		suspension point at the bolt of the trolley		total height		lower edge alu beam		lateral stand	park-break trolley	horizontal adjuster	adjustment range		weight
		clear width	total	usable	outside	inside	min.	max.	min.	max.	min.	max.				width	width	
	kg	A	B	C	D	E	F		G		H		I	K	L	M	N	kg

2.000 kg

1532040-10	2000	4000	4100	3479	4244	3753	2786	4336	2887	4437	2519	4069	2214	480	421	1150	400	276
1532050-10	2000	5000	5184	4479	5266	4653	2786	4336	2887	4437	2519	4069	2214	480	421	1150	400	301
1532060-10	2000	6000	6100	5479	6244	5753	2786	4336	2887	4437	2519	4069	2214	480	421	1150	400	310
1532070-10	2000	7000	7184	6479	7266	6653	2786	4336	2887	4437	2519	4069	2214	480	421	1150	400	395
1532080-10	2000	8000	8100	7479	8244	7753	2786	4336	2887	4437	2519	4069	2214	480	421	1150	400	413

3.000 kg

1533040-10	3000	4000	4100	3479	4244	5753	2786	4336	2887	4437	2519	4069	2214	480	421	1150	400	276
1533050-10	3000	5000	5184	4479	5266	4653	2786	4336	2887	4437	2519	4069	2214	480	421	1150	400	343
1533060-10	3000	6000	6100	5479	6244	5753	2786	4336	2887	4437	2519	4069	2214	480	421	1150	400	361





2.000 kg

item. no.		1532040-10	1532050-10	1532060-10	1532070-10	1532080-10
load capacity	kg	2000	2000	2000	2000	2000
beam length	mm	4000	5000	6000	7000	8000
beam support	mm	81X81	81X81	81X81	81X81	81X81
beam profile	mm	220x60	220x60	220x60	220x60*	220x60*
beam housing left		sleeve 92x92 with bump stop	sleeve 92x92 with bump stop	sleeve 92x92 with bump stop	sleeve 92x92 with bump stop	sleeve 92x92 with bump stop
beam housing right		end piece	sleeve 92x92 with bump stop	end piece	sleeve 92x92 with bump stop	end piece
total weight	kg	276	301	310	395	413
aluminium beam	kg	101	126	135	220	239
lateral stand, short beam support	kg	61	61	61	61	61
lateral stand, long beam support	kg	61	61	61	61	61
trolley	kg	18	18	18	18	18
horizontal adjuster	kg	23	23	23	23	23
various components	kg	12	12	12	12	12

* with larger profile thickness (inwards)

3.000 kg

item. no.		1533040-10	1533050-10	1533060-10
load capacity	kg	3000	3000	3000
beam length	mm	4000	5000	6000
beam support	mm	81X81	81X81	81X81
beam profile	mm	220x60	220x60*	220x60*
beam housing left		sleeve 92x92 with bump stop	sleeve 92x92 with bump stop	sleeve 92x92 with bump stop
beam housing right		end piece	sleeve 92x92 with bump stop	end piece
total weight	kg	276	343	361
aluminium beam	kg	101	168	186
lateral stand, short beam support	kg	61	61	61
lateral stand, long beam support	kg	61	61	61
trolley	kg	18	18	18
horizontal adjuster	kg	23	23	23
various components	kg	12	12	12

* with larger profile thickness (inwards)





Heavy and heavier – yet a lightweight

Anyone who believes that heavy loads also make the crane heavier and therefore more difficult to handle is mistaken. The consistent lightweight aluminum construction in combination with intelligent design solutions ensures the easiest handling of even very heavy loads. And this is exactly what distinguishes SCHILLING crane technology. Perfection in detail, across all model and equipment variants.

Crane components

Two lateral stands

with height adjustable beam support – distance between holes 50 mm

with two height adjustable adjustment feet – distance between holes 40 mm

The lateral stands can be folded up effortlessly and can therefore be stowed, stored, and transported in a space-saving manner.



One overhead lockable trolley

The trolley is used to hold the chain hoist or alternatively the lifting straps. Due to the overhead trolley, the maximum lift can be used in relation to the total height.

Even under full load, the trolley is infinitely adjustable and can be locked in any position.



Four bump stops

As collision protection for the trolley

One beam mounting

This fixes the two aluminium supports in exact parallelism.

One set of aluminium double beams

Separable resp. pluggable aluminium beam.

The aluminium beam can be taken apart, e.g., for transport or storage purposes, and is therefore extremely space-saving.

The aluminium beam is relatively light, mobile, quick, and easy to assemble (a set consists of two single beams).



One integrated horizontal adjuster

Through the use of the horizontal adjuster the usable length of the aluminium Gantry Crane can be adjusted smoothly between the two lateral stands.

The running track width of the aluminium beam is variable.

This guarantees a higher level of flexibility for the user.





Accessories in heavy-duty operation.

A chain is as strong as its weakest link. Of course, this also applies to the individual accessory components, which must function smoothly and easily in conjunction with the crane system – regardless of whether the task is to move 500 kg or 3 tons. And that is exactly what distinguishes our accessories. Each individual part is precisely matched to the overall system and thus fits smoothly into the big picture. Perfection in detail, nothing else should you expect from a SCHILLING gantry crane.

- ▣ Space-saving due to foldable and separable crane components
- ▣ Simple and quick assembly with minimal manpower, no tools required
- ▣ Easy transport to the place of use due to compact packing size

Accessory

chain hoist



cable system / power supply



manual trolley
direction band



hand winch for
height adjustment



packing and
transportation box



wall bracket



wheel kit for indoor
and outdoor usage



lateral extension beam



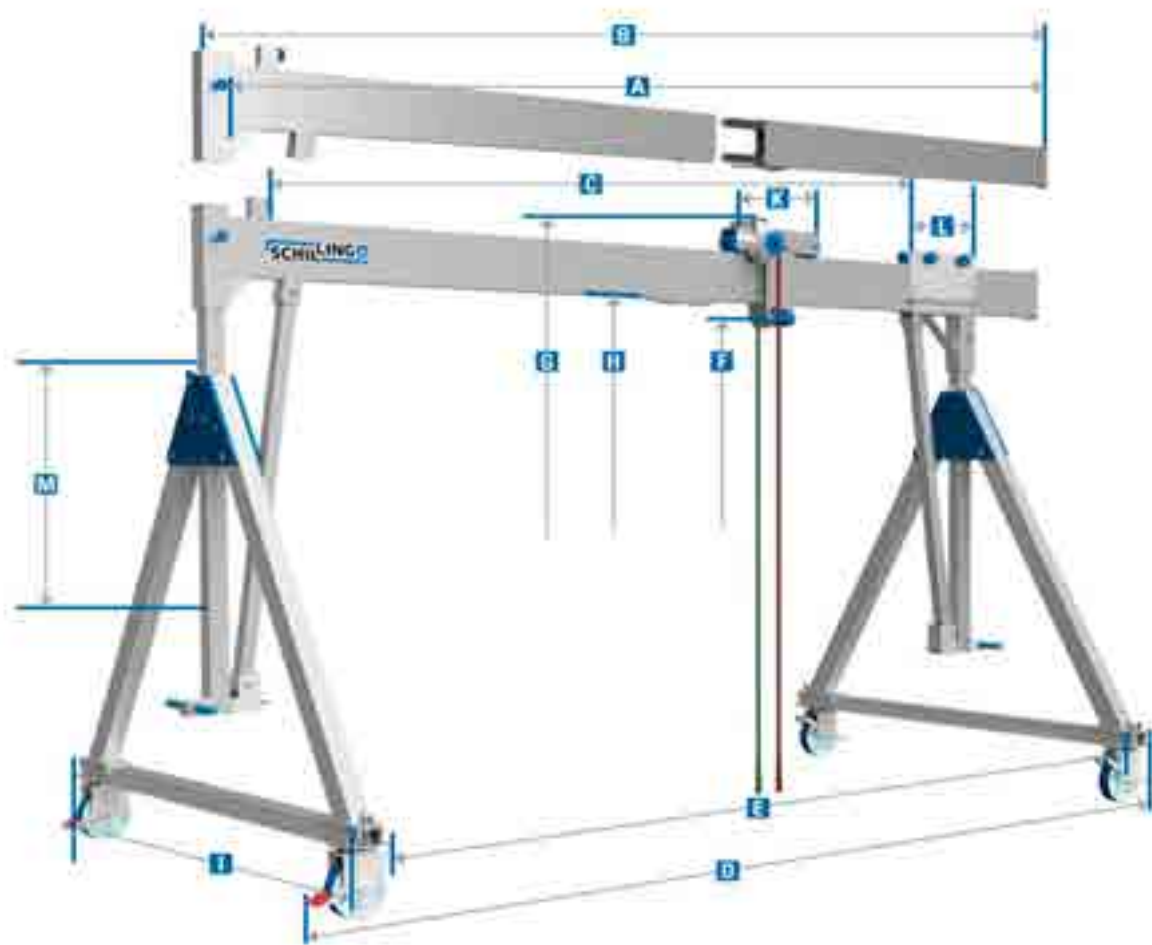
Aluminium Gantry Cranes

movable under load, single beam

▲ 0,5 t + 1 t + 1,5 t ▲



2/2022



item no.	load capacity	beam length			total width of the crane		suspension point at the bolt of the trolley		total height		lower edge alu beam		lateral stand width	park-break trolley width	horizontal adjuster width	adjustment range	weight	
		clear width	total	usable	outside	inside	min.	max.	min.	max.	min.	max.						beam support
	kg	A	B	C	D	E	F		G		H		I	K	L	M	kg	
		mm	mm	mm	mm	mm	mm	mm	mm	mm	mm	mm	mm	mm	mm	mm	mm	

SMALL

1470540-10	500	4000	4100	3399	4234	3849	1699	2099	2144	2544	1777	2177	1488	480	421	400	177
1471040-10	1000	4000	4100	3399	4234	3849	1699	2099	2144	2544	1777	2177	1488	480	421	400	184
1471540-10	1500	4000	4100	3399	4234	3849	1699	2099	2144	2544	1777	2177	1488	480	421	400	201

MEDIUM

1480540-10	500	4000	4100	3399	4234	3849	2137	2987	2582	3432	2215	3065	1988	480	421	850	202
1481040-10	1000	4000	4100	3399	4234	3849	2137	2987	2582	3432	2215	3065	1988	480	421	850	209
1481540-10	1500	4000	4100	3399	4234	3849	2137	2987	2582	3432	2215	3065	1988	480	421	850	226

HIGH

1490540-10	500	4000	4100	3399	4234	3849	2468	3768	2913	4213	2546	3846	2312	480	421	1300	222
1491040-10	1000	4000	4100	3399	4234	3849	2468	3768	2913	4213	2546	3846	2312	480	421	1300	229
1491540-10	1500	4000	4100	3399	4234	3849	2468	3768	2913	4213	2546	3846	2312	480	421	1300	246





SMALL

item. no.		1470540-10	1471040-10	1471540-10
load capacity	kg	500	1000	1500
beam length	mm	4000	4000	4000
beam support	mm	71x71	71x71	71x71
beam profile	mm	220x60	220x60	220x60*
beam housing left		sleeve 92x92 with bump stop and connection point for brace	sleeve 92x92 with bump stop and connection point for brace	sleeve 92x92 with bump stop and connection point for brace
beam housing right		end piece	end piece	end piece
total weight	kg	177	184	201
aluminium beam	kg	51	51	67
lateral stand 1	kg	50	50	50
lateral stand 2	kg	51	51	51
trolley	kg	12	12	12
horizontal adjuster	kg	11	11	11
various components	kg	2	9	10
* with larger profile thickness (inwards)				

MEDIUM

item. no.		1480540-10	1481040-10	1481540-10
load capacity	kg	500	1000	1500
beam length	mm	4000	4000	4000
beam support	mm	71x71	71x71	71x71
beam profile	mm	220x60	220x60	220x60*
beam housing left		sleeve 92x92 with bump stop and connection point for brace	sleeve 92x92 with bump stop and connection point for brace	sleeve 92x92 with bump stop and connection point for brace
beam housing right		end piece	end piece	end piece
total weight	kg	202	209	226
aluminium beam	kg	51	51	67
lateral stand 1	kg	62	62	62
lateral stand 2	kg	63	63	63
trolley	kg	12	12	12
horizontal adjuster	kg	11	11	11
various components	kg	3	10	11
* with larger profile thickness (inwards)				

HIGH

item. no.		1490540-10	1491040-10	1491540-10
load capacity	kg	500	1000	1500
beam length	mm	4000	4000	4000
beam support	mm	71x71	71x71	71x71
beam profile	mm	220x60	220x60	220x60*
beam housing left		sleeve 92x92 with bump stop and connection point for brace	sleeve 92x92 with bump stop and connection point for brace	sleeve 92x92 with bump stop and connection point for brace
beam housing right		end piece	end piece	end piece
total weight	kg	222	229	246
aluminium beam	kg	51	51	67
lateral stand 1	kg	70	70	70
lateral stand 2	kg	71	71	71
trolley	kg	13	13	13
horizontal adjuster	kg	11	11	11
various components	kg	6	13	14
* with larger profile thickness (inwards)				





The aluminum gantry crane. Heavy loads easily moved.

A height- and length-adjustable crane system that offers maximum flexibility thanks to its variable adjustment options. With this type of crane, the load can be moved and set down with the help of the park brake trolley. In addition, the complete crane can also be moved under load. When not in use, the rolling and slewing motions can be blocked. Two cross braces on each side provide for an increase in stability, the so-called power triangle thus ensures the dissipation of the forces.

The SCHILLING aluminum gantry crane can be assembled and disassembled in a very short time and with relatively few manual operations. No structural modifications (e.g. dowel fastenings or similar) are necessary. Lightweight construction, with extremely high stability.

Crane components

Two lateral stands

with one height-adjustable beam support – grid dimension: 50 mm

with 2 sheet steel swivel castors

Heavy duty polyurethane tread with integrated wheel and swivel lock. Wheel diameter: 200 mm. Wheel width: 50 mm

The lateral stands can be folded up effortlessly and can therefore be stowed, stored, and transported in a space-saving manner.



One fixable park brake trolley

The trolley is used to hold the chain hoist or alternatively the lifting straps.

Even under full load, the trolley is infinitely adjustable and can be locked in any position.



Two bump stops

As collision protection for the trolley

One aluminium beam

Separable resp. pluggable aluminium beam.

The aluminium beam can be taken apart, e.g., for transport or storage purposes, and is therefore extremely space-saving.

The aluminium beam is relatively light, mobile, quick, and easy to assemble.

One of the two pieces can be used as a single beam (the one with the sleeve).



One integrated horizontal adjuster

Through the use of the horizontal adjuster the usable length of the aluminium Gantry Crane can be adjusted smoothly between the two lateral stands.

The running track width of the aluminium beam is variable.

This guarantees a higher level of flexibility for the user.



Perfection in detail.

The sum of good ideas and well-thought-out detailed solutions result in a coherent overall picture. This is how a SCHILLING gantry crane becomes what it is. A perfect tool for professional use.

Extremely easy handling due to consistent lightweight construction in aluminum combined with maximum stability and work safety. Heavy loads moved easily, at SCHILLING the crane is still movable even under load, a significant relief when it comes to precise and accurate work.

- ▲ Space-saving due to foldable and separable crane components
- ▲ Simple and quick assembly with minimal manpower, no tools required
- ▲ Easy transport to the place of use due to compact packing size

Accessory

Original accessories from SCHILLING, what else. Exact fit to all SCHILLING components, in the usual perfection and quality "Made in Germany".

chain hoist



cable system / power supply



manual trolley
direction band



hand winch for
height adjustment



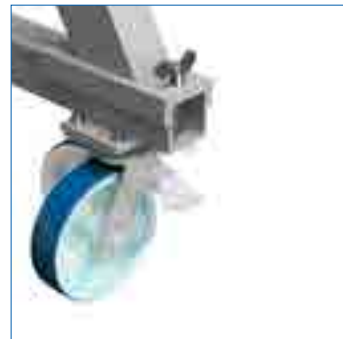
packing and
transportation box



wall bracket



casters fixed direction



variation:

casters solid rubber tires



at 500 kg and 1.000kg

On request, our aluminum gantry cranes are also available with this wheel combination.

Aluminium Gantry Cranes

movable under load, double beam

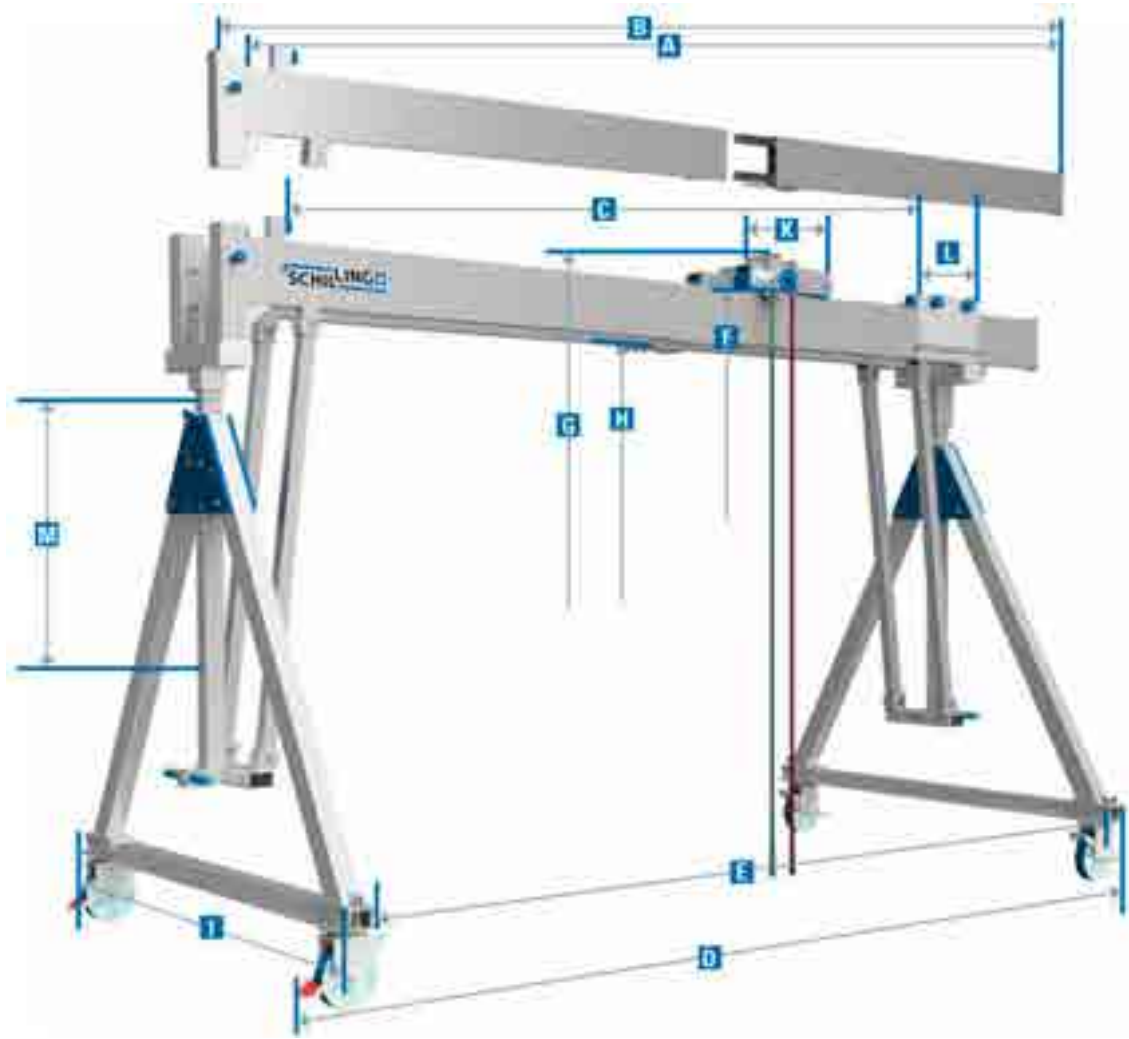
▲ 1 t + 1,5 t ▲ 4 m ▲



▲



2022/09



item no.	load capacity	beam length			total width of the crane		suspension point at the bolt of the trolley		total height		lower edge alu beam		lateral stand	park-break trolley	horizontal adjuster	adjustment range	weight
		clear width	total	usable	outside	inside	min.	max.	min.	max.	min.	max.	width	width	width	beam support	
	kg	A	B	C	D	E	F		G		H		I	K	L	M	kg
		mm	mm	mm	mm	mm	mm	mm	mm	mm	mm	mm	mm	mm	mm	mm	mm
SMALL																	
14401040-10	1000	4000	4100	3399	4228	3843	2044	2444	2144	2544	1777	2177	1488	480	421	400	272
14401540-10	1500	4000	4100	3399	4228	3843	2044	2444	2144	2544	1777	2177	1488	480	421	400	272
MEDIUM																	
14501040-10	1000	4000	4100	3399	4228	3843	2482	3332	2582	3432	2215	3065	1988	480	421	850	299
14501540-10	1500	4000	4100	3399	4228	3843	2482	3332	2582	3432	2215	3065	1988	480	421	850	299
HIGH																	
14601040-10	1000	4000	4100	3399	4228	3843	2813	4113	2913	4213	2546	3846	2312	480	421	1300	321
14601540-10	1500	4000	4100	3399	4228	3843	2813	4113	2913	4213	2546	3846	2312	480	421	1300	321





SMALL

item. no.		14401040-10	14401540-10
load capacity	kg	1000	1500
beam length	mm	4000	4000
beam support	mm	71x71	71x71
beam profile	mm	220x60	220x60
beam housing left		sleeve 92x92 with bump stop and connection point for brace	sleeve 92x92 with bump stop and connection point for brace
beam housing right		end piece	end piece
total weight	kg	272	272
aluminium beam	kg	101	101
lateral stand 1	kg	50	50
lateral stand 2	kg	50	50
trolley	kg	18	18
horizontal adjuster	kg	23	23
beam mountings	kg	11	11
various components	kg	19	19

MEDIUM

item. no.		14501040-10	14501540-10
load capacity	kg	1000	1500
beam length	mm	4000	4000
beam support	mm	71x71	71x71
beam profile	mm	220x60	220x60
beam housing left		sleeve 92x92 with bump stop and connection point for brace	sleeve 92x92 with bump stop and connection point for brace
beam housing right		end piece	end piece
total weight	kg	299	299
aluminium beam	kg	101	101
lateral stand 1	kg	62	62
lateral stand 2	kg	62	62
trolley	kg	18	18
horizontal adjuster	kg	23	23
beam mountings	kg	11	11
various components	kg	22	22

HIGH

item. no.		14601040-10	14601540-10
load capacity	kg	1000	1500
beam length	mm	4000	4000
beam support	mm	71x71	71x71
beam profile	mm	220x60	220x60
beam housing left		sleeve 92x92 with bump stop and connection point for brace	sleeve 92x92 with bump stop and connection point for brace
beam housing right		end piece	end piece
total weight	kg	321	321
aluminium beam	kg	101	101
lateral stand 1	kg	70	70
lateral stand 2	kg	70	70
trolley	kg	18	18
horizontal adjuster	kg	23	23
beam mountings	kg	11	11
various components	kg	28	28





The aluminum gantry crane. Movable even under load

The height and length adjustable crane system from SCHILLING – flexible and powerful and above all, with unrestricted mobility even under load, an invaluable advantage when it comes to the exact positioning of machines, for example. At rest when not in use, the rolling and swiveling movements can be blocked. Two cross struts on each side increase the stability, the so-called “triangle of forces” thus ensures the dissipation of the forces.

The SCHILLING aluminum gantry crane can be assembled and disassembled in a very short time and with relatively few manual operations. No structural modifications (e.g. dowel fastenings or similar) are necessary. Lightweight construction, with extremely high stability.

Crane components

Two lateral stands

with one height-adjustable beam support – grid dimension: 50 mm

with 4 sheet steel swivel castors

Heavy duty polyurethane tread with integrated wheel and swivel lock. Wheel diameter: 200 mm. Wheel width: 50 mm

The lateral stands can be folded up effortlessly and can therefore be stowed, stored, and transported in a space-saving manner.



One overhead lockable trolley

The trolley is used to hold the chain hoist or alternatively the lifting straps.

Due to the overhead trolley, the maximum lift can be used in relation to the total height.

Even under full load, the trolley is infinitely adjustable and can be locked in any position.



Four bump stops

As collision protection for the trolley

One beam mounting

This fixes the two aluminium supports in exact parallelism.

One set of aluminium double beams

Separable resp. pluggable aluminium beam.

The aluminium beam can be taken apart, e.g., for transport or storage purposes, and is therefore extremely space-saving.

The aluminium beam is relatively light, mobile, quick, and easy to assemble (a set consists of two single beams).



One integrated horizontal adjuster

Through the use of the horizontal adjuster the usable length of the aluminium Gantry Crane can be adjusted smoothly between the two lateral stands.

The running track width of the aluminium beam is variable.

This guarantees a higher level of flexibility for the user.



Customized crane components

Every detail matches the other. This is exactly what makes SCHILLING gantry crane systems what they are. Perfect, professional, solid, and absolutely durable.

Through the consistent use of the material aluminum, an optimum is achieved in terms of easy handling combined with maximum stability and work safety.

- ▲ Space-saving due to foldable and separable crane components
- ▲ Simple and quick assembly with minimal manpower, no tools required
- ▲ Easy transport to the place of use due to compact packing size

Accessory

Original accessories from SCHILLING, what else. Exact fit to all SCHILLING components, in the usual perfection and quality "Made in Germany".

chain hoist



cable system / power supply



manual trolley
direction band



hand winch for
height adjustment



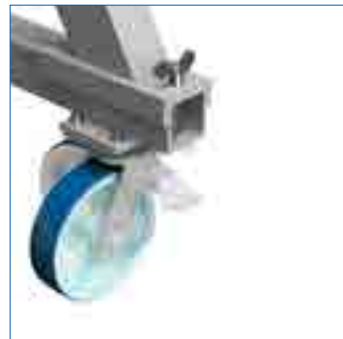
packing and
transportation box



wall bracket



casters fixed direction



variation:

casters solid rubber tires



On request, our aluminum gantry cranes are also available with this wheel combination.

Aluminium Gantry Cranes

movable under load, double beam



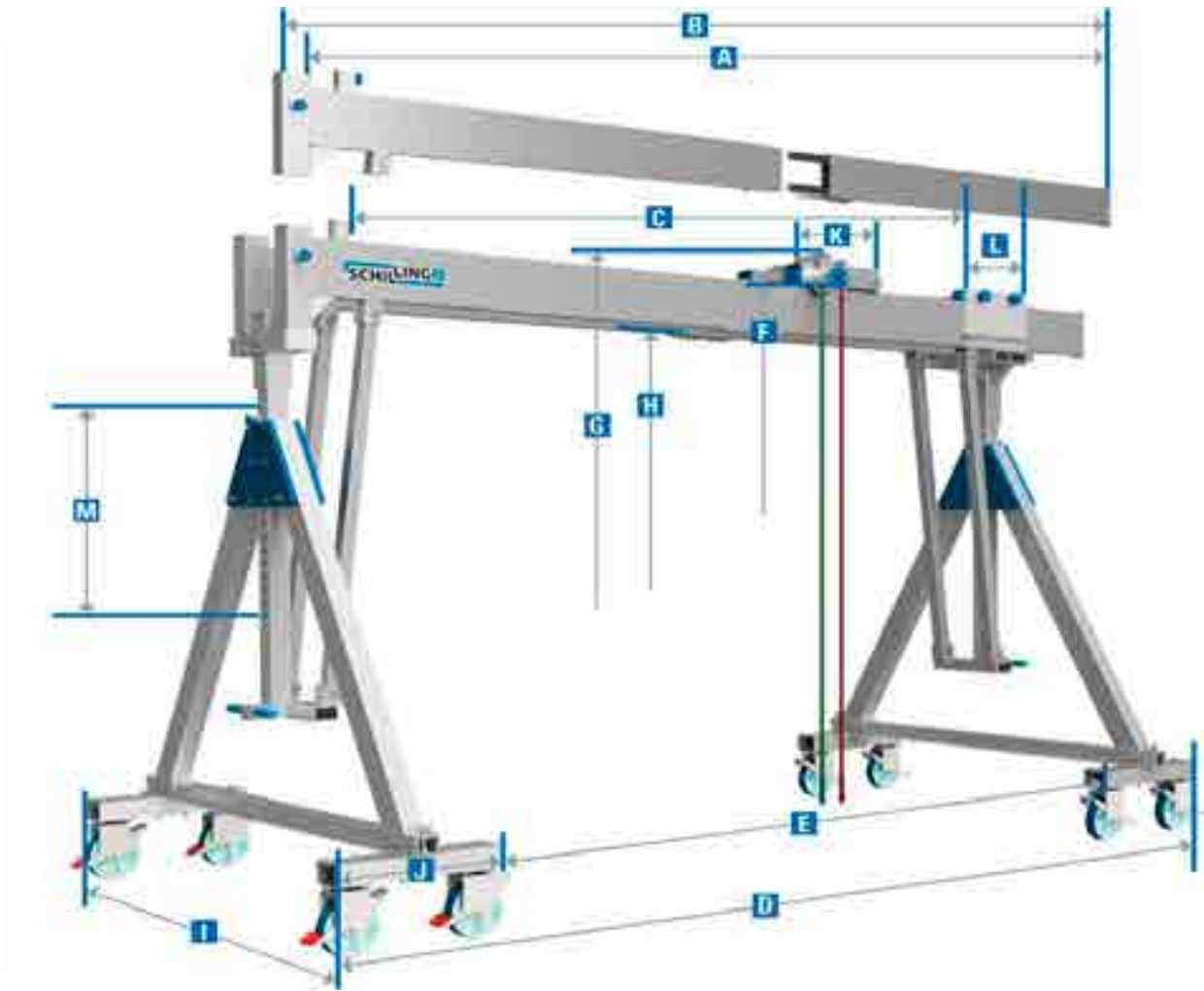
1 t



5 m - 8 m



09/2022



item no.	load capacity	beam length			total width of the crane		suspension point at the bolt of the trolley		total height		lower edge alu beam		lateral stand		park-break trolley	horizontal adjuster	adjustment range	weight
		clear width	total	usable	outside	inside	min.	max.	min.	max.	min.	max.	width	depth				
	kg	A	B	C	D	E	F		G		H		I	J	K	L	M	kg
		mm	mm	mm	mm	mm	mm	mm	mm	mm	mm	mm	mm	mm	mm	mm	mm	mm

SMALL

14401050-10	1000	5000	5100	4399	5579	4387	2124	2524	2224	2624	1857	2257	1488	596	480	421	400	331
14401060-10	1000	6000	6100	5399	6579	5387	2124	2524	2224	2624	1857	2257	1488	596	480	421	400	348
14401070-10	1000	7000	7100	6399	7585	6393	2138	2488	2238	2588	1871	2221	1488	596	480	421	350	378
14401080-10	1000	8000	8100	7399	8585	7393	2138	2488	2238	2588	1871	2221	1488	596	480	421	350	395

MEDIUM

14501050-10	1000	5000	5100	4399	5579	4387	2562	3412	2662	3512	2295	3145	1988	596	480	421	850	358
14501060-10	1000	6000	6100	5399	6579	5387	2562	3412	2662	3512	2295	3145	1988	596	480	421	850	375
14501070-10	1000	7000	7100	6399	7585	6393	2613	3363	2713	3463	2346	3096	1988	596	480	421	750	410
14501080-10	1000	8000	8100	7399	8585	7393	2613	3363	2713	3463	2346	3096	1988	596	480	421	750	427

HIGH

14601050-10	1000	5000	5100	4399	5579	4387	2893	4193	2993	4293	2626	3926	2312	596	480	421	1300	379
14601060-10	1000	6000	6100	5399	6579	5387	2893	4193	2993	4293	2626	3926	2312	596	480	421	1300	397
14601070-10	1000	7000	7100	6399	7585	6393	3003	4153	3104	4254	2736	3886	2312	596	480	421	1150	435
14601080-10	1000	8000	8100	7399	8585	7393	3003	4153	3104	4254	2736	3886	2312	596	480	421	1150	452





SMALL

item. no.		14401050-10	14401060-10	14401070-10	14401080-10
load capacity	kg	1000	1000	1000	1000
beam length	mm	5000	6000	7000	8000
beam support	mm	71x71	71x71	71x71	71x71
beam profile	mm	220x60	220x60	220x60	220x60
beam housing left		sleeve 92x92 with bump stop and connection point for brace	sleeve 92x92 with bump stop and connection point for brace	sleeve 92x92 with bump stop and connection point for brace	sleeve 92x92 with bump stop and connection point for brace
beam housing right		end piece	end piece	end piece	end piece
total weight	kg	331	348	378	395
aluminium beam	kg	119	136	153	171
lateral stand 1	kg	71	71	77	77
lateral stand 2	kg	71	71	77	77
trolley	kg	18	18	18	18
horizontal adjuster	kg	23	23	23	23
beam mountings	kg	10	10	10	10
various components	kg	19	19	20	19

MEDIUM

item. no.		14501050-10	14501060-10	14501070-10	14501080-10
load capacity	kg	1000	1000	1000	1000
beam length	mm	5000	6000	7000	8000
beam support	mm	71x71	71x71	81x81	81x81
beam profile	mm	220x60	220x60	220x60	220x60
beam housing left		sleeve 92x92 with bump stop and connection point for brace	sleeve 92x92 with bump stop and connection point for brace	sleeve 92x92 with bump stop and connection point for brace	sleeve 92x92 with bump stop and connection point for brace
beam housing right		end piece	end piece	end piece	end piece
total weight	kg	358	375	410	427
aluminium beam	kg	119	136	153	171
lateral stand 1	kg	83	83	91	91
lateral stand 2	kg	83	83	91	91
trolley	kg	18	18	18	18
horizontal adjuster	kg	23	23	23	23
beam mountings	kg	10	10	9	9
various components	kg	22	22	25	24

HIGH

item. no.		14601050-10	14601060-10	14601070-10	14601080-10
load capacity	kg	1000	1000	1000	1000
beam length	mm	5000	6000	7000	8000
beam support	mm	71x71	71x71	81x81	81x81
beam profile	mm	220x60	220x60	220x60	220x60
beam housing left		sleeve 92x92 with bump stop and connection point for brace	sleeve 92x92 with bump stop and connection point for brace	sleeve 92x92 with bump stop and connection point for brace	sleeve 92x92 with bump stop and connection point for brace
beam housing right		end piece	end piece	end piece	end piece
total weight	kg	379	397	435	452
aluminium beam	kg	119	136	153	171
lateral stand 1	kg	91	91	102	102
lateral stand 2	kg	91	91	102	102
trolley	kg	18	18	18	18
horizontal adjuster	kg	23	23	23	23
beam mountings	kg	10	10	9	9
various components	kg	27	28	28	27





The aluminum gantry crane. Double beam for more lifting height

The double beam system of the SCHILLING aluminum gantry crane ensures on the one hand a higher load capacity and on the other hand more lifting height. With the double beam variant, the park brake trolley is guided on top, which results in more lifting height. Double beam = more stability + more lifting height!

With all mobile crane variants, the gantry crane can also be moved under load.

The SCHILLING aluminum gantry crane can be assembled and disassembled in a very short time and with relatively few manual operations.

Crane components

Two lateral stands

with one height-adjustable beam support – grid dimension: 50 mm

with 4 sheet steel swivel castors

Heavy duty polyurethane tread with integrated wheel and swivel lock. Wheel diameter: 200 mm. Wheel width: 50 mm

The lateral stands can be folded up effortlessly and can therefore be stowed, stored, and transported in a space-saving manner.



One overhead lockable trolley

The trolley is used to hold the chain hoist or alternatively the lifting straps.

Due to the overhead trolley, the maximum lift can be used in relation to the total height.

Even under full load, the trolley is infinitely adjustable and can be locked in any position.



Four bump stops

As collision protection for the trolley

One beam mounting

This fixes the two aluminium supports in exact parallelism.

One set of aluminium double beams

Separable resp. pluggable aluminium beam.

The aluminium beam can be taken apart, e.g., for transport or storage purposes, and is therefore extremely space-saving.

The aluminium beam is relatively light, mobile, quick, and easy to assemble (a set consists of two single beams).



One integrated horizontal adjuster

Through the use of the horizontal adjuster the usable length of the aluminium Gantry Crane can be adjusted smoothly between the two lateral stands.

The running track width of the aluminium beam is variable.

This guarantees a higher level of flexibility for the user.





Original accessories from SCHILLING.

Made in Germany 100%. We make no compromises. All components that come from our own production are consistently designed and produced by us in Friedrichshafen. Purchased components come from long-standing and established partners, with whom we have been working closely and in some cases for decades.

Quality and reliability have a name: SCHILLING!

- ▣ Space-saving due to foldable and separable crane components
- ▣ Simple and quick assembly with minimal manpower, no tools required
- ▣ Easy transport to the place of use due to compact packing size

Accessory

Original accessories from SCHILLING, what else. Exact fit to all SCHILLING components.

chain hoist



cable system / power supply



manual trolley
direction band



hand winch for
height adjustment



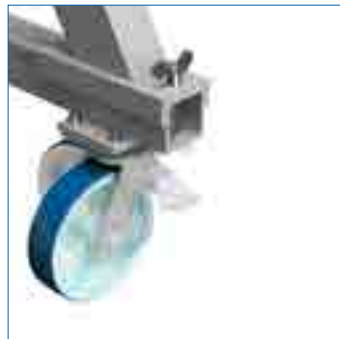
packing and
transportation box



wall bracket



casters fixed direction



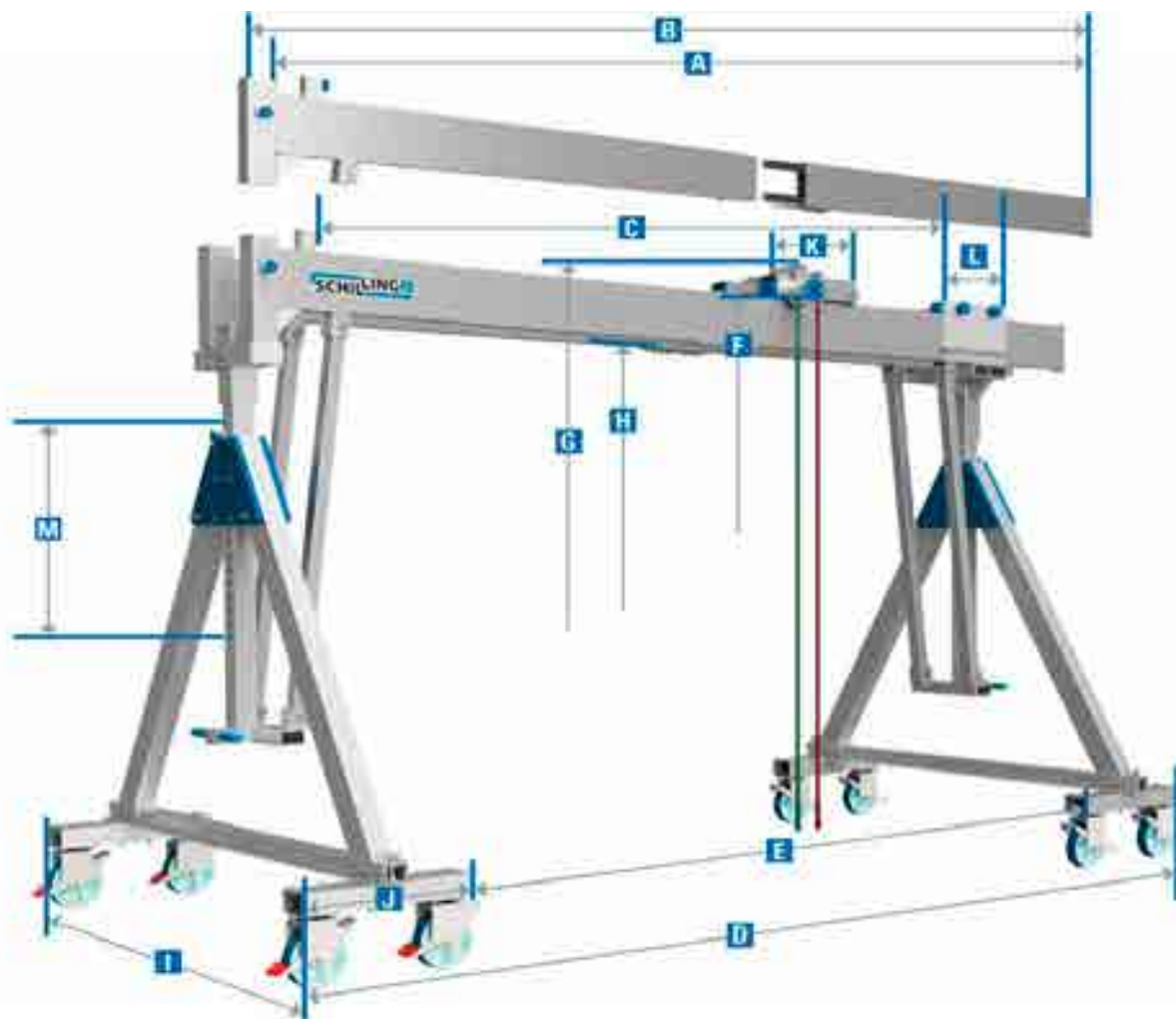
variation:

casters solid rubber tires



On request, our aluminum gantry cranes are also available with this wheel combination.





item no.	load capacity	beam length			total width of the crane		suspension point at the bolt of the trolley		total height		lower edge alu beam		lateral stand		park-break trolley	horizontal adjuster	adjustment range	weight
		clear width	total	usable	outside	inside	min.	max.	min.	max.	min.	max.	width	depth				
	kg	A	B	C	D	E	F		G		H		I	J	K	L	M	kg

SMALL

14401550-10	1500	5000	5100	4399	5579	4387	2124	2524	2224	2624	1857	2257	1488	596	480	421	400	331
14401560-10	1500	6000	6100	5399	6585	5393	2138	2488	2238	2588	1871	2221	1488	596	480	421	350	360
14401570-10	1500	7000	7100	6399	7585	6393	2138	2488	2238	2588	1871	2221	1488	596	480	421	350	378
14401580-10	1500	8000	8100	7399	8585	7393	2138	2488	2238	2588	1871	2221	1488	596	480	421	350	395

MEDIUM

14501550-10	1500	5000	5100	4399	5579	4387	2562	3412	2662	3512	2295	3145	1988	596	480	421	850	358
14501560-10	1500	6000	6100	5399	6585	5393	2613	3363	2713	3463	2346	3096	1988	596	480	421	750	392
14501570-10	1500	7000	7100	6399	7585	6393	2613	3363	2713	3463	2346	3096	1988	596	480	421	750	410
14501580-10	1500	8000	8100	7399	8585	7393	2613	3363	2713	3463	2346	3096	1988	596	480	421	750	427

HIGH

14601550-10	1500	5000	5100	4399	5579	4387	2893	4193	2993	4293	2626	3926	2312	596	480	421	1300	379
14601560-10	1500	6000	6100	5399	6585	5393	3003	4153	3104	4254	2736	3886	2312	596	480	421	1150	418
14601570-10	1500	7000	7100	6399	7585	6393	3003	4153	3104	4254	2736	3886	2312	596	480	421	1150	435
14601580-10	1500	8000	8100	7399	8585	7393	3003	4153	3104	4254	2736	3886	2312	596	480	421	1150	452





SMALL

item. no.		14401550-10	14401560-10	14401570-10	14401580-10
load capacity	kg	1500	1500	1500	1500
beam length	mm	5000	6000	7000	8000
beam support	mm	71x71	81X81	81X81	81X81
beam profile	mm	220x60	220x60	220x60	220x60
beam housing left		sleeve 92x92 with bump stop and connection point for brace	sleeve 92x92 with bump stop and connection point for brace	sleeve 92x92 with bump stop and connection point for brace	sleeve 92x92 with bump stop and connection point for brace
beam housing right		end piece	end piece	end piece	end piece
total weight	kg	331	360	378	395
aluminium beam	kg	119	136	153	171
lateral stand 1	kg	71	77	77	77
lateral stand 2	kg	71	77	77	77
trolley	kg	18	18	18	18
horizontal adjuster	kg	23	23	23	23
beam mountings	kg	10	9	9	9
various components	kg	19	20	21	20

MEDIUM

item. no.		14501550-10	14501560-10	14501570-10	14501580-10
load capacity	kg	1500	1500	1500	1500
beam length	mm	5000	6000	7000	8000
beam support	mm	71x71	81X81	81X81	81X81
beam profile	mm	220x60	220x60	220x60	220x60
beam housing left		sleeve 92x92 with bump stop and connection point for brace	sleeve 92x92 with bump stop and connection point for brace	sleeve 92x92 with bump stop and connection point for brace	sleeve 92x92 with bump stop and connection point for brace
beam housing right		end piece	end piece	end piece	end piece
total weight	kg	358	392	410	427
aluminium beam	kg	119	136	153	171
lateral stand 1	kg	83	91	91	91
lateral stand 2	kg	83	91	91	91
trolley	kg	18	18	18	18
horizontal adjuster	kg	23	23	23	23
beam mountings	kg	10	9	9	9
various components	kg	22	23	25	24

HIGH

item. no.		14601550-10	14601560-10	14601570-10	14601580-10
load capacity	kg	1500	1500	1500	1500
beam length	mm	5000	6000	7000	8000
beam support	mm	71x71	81X81	81X81	81X81
beam profile	mm	220x60	220x60	220x60	220x60
beam housing left		sleeve 92x92 with bump stop and connection point for brace	sleeve 92x92 with bump stop and connection point for brace	sleeve 92x92 with bump stop and connection point for brace	sleeve 92x92 with bump stop and connection point for brace
beam housing right		end piece	end piece	end piece	end piece
total weight	kg	379	418	435	452
aluminium beam	kg	119	136	153	171
lateral stand 1	kg	91	102	102	102
lateral stand 2	kg	91	102	102	102
trolley	kg	18	18	18	18
horizontal adjuster	kg	23	23	23	23
beam mountings	kg	10	9	9	9
various components	kg	27	29	28	27





Alu-gantry cranes made by SCHILLING – double beam system

Crane systems from SCHILLING. Extremely light and dimensionally stable, easy to handle. The double beam system ensures more stability and thus higher load absorption. In the double-beam version, the park brake trolley is also placed on top, which ensures more lifting height. All mobile SCHILLING crane systems can also be moved under load.

- ▲ Space-saving due to foldable and separable crane components
- ▲ Simple and quick assembly with minimal manpower, no tools required
- ▲ Easy transport to the place of use due to compact packing size

Crane components

▲ Two lateral stands

with one height-adjustable beam support – grid dimension: 50 mm

with 4 sheet steel swivel castors

Heavy duty polyurethane tread with integrated wheel and swivel lock. Wheel diameter: 200 mm. Wheel width: 50 mm

The lateral stands can be folded up effortlessly and can therefore be stowed, stored, and transported in a space-saving manner.



▲ One overhead lockable trolley

The trolley is used to hold the chain hoist or alternatively the lifting straps.

Due to the overhead trolley, the maximum lift can be used in relation to the total height.

Even under full load, the trolley is infinitely adjustable and can be locked in any position.



▲ Four bump stops

As collision protection for the trolley

▲ One beam mounting

This fixes the two aluminium supports in exact parallelism.

▲ One set of aluminium double beams

Separable resp. pluggable aluminium beam.

The aluminium beam can be taken apart, e.g., for transport or storage purposes, and is therefore extremely space-saving.

The aluminium beam is relatively light, mobile, quick, and easy to assemble (a set consists of two single beams).



▲ One integrated horizontal adjuster

Through the use of the horizontal adjuster the usable length of the aluminium Gantry Crane can be adjusted smoothly between the two lateral stands.

The running track width of the aluminium beam is variable.

This guarantees a higher level of flexibility for the user.



Crane components from SCHILLING

Quality, quality and again quality. A credo in which we do not tolerate any compromises. The whole crane system is as good as every single component. Only if all components are perfectly matched to each other and meet our quality criteria we do speak of a SCHILLING gantry crane with a clear conscience.

Accessory

Original accessories from SCHILLING, what else. Exact fit to all SCHILLING components.

chain hoist



cable system / power supply



**manual trolley
direction band**



**hand winch for
height adjustment**



**packing and
transportation box**



wall bracket



casters fixed direction



variation:

casters solid rubber tires



On request, our aluminum gantry cranes are also available with this wheel combination.

Aluminium Gantry Cranes

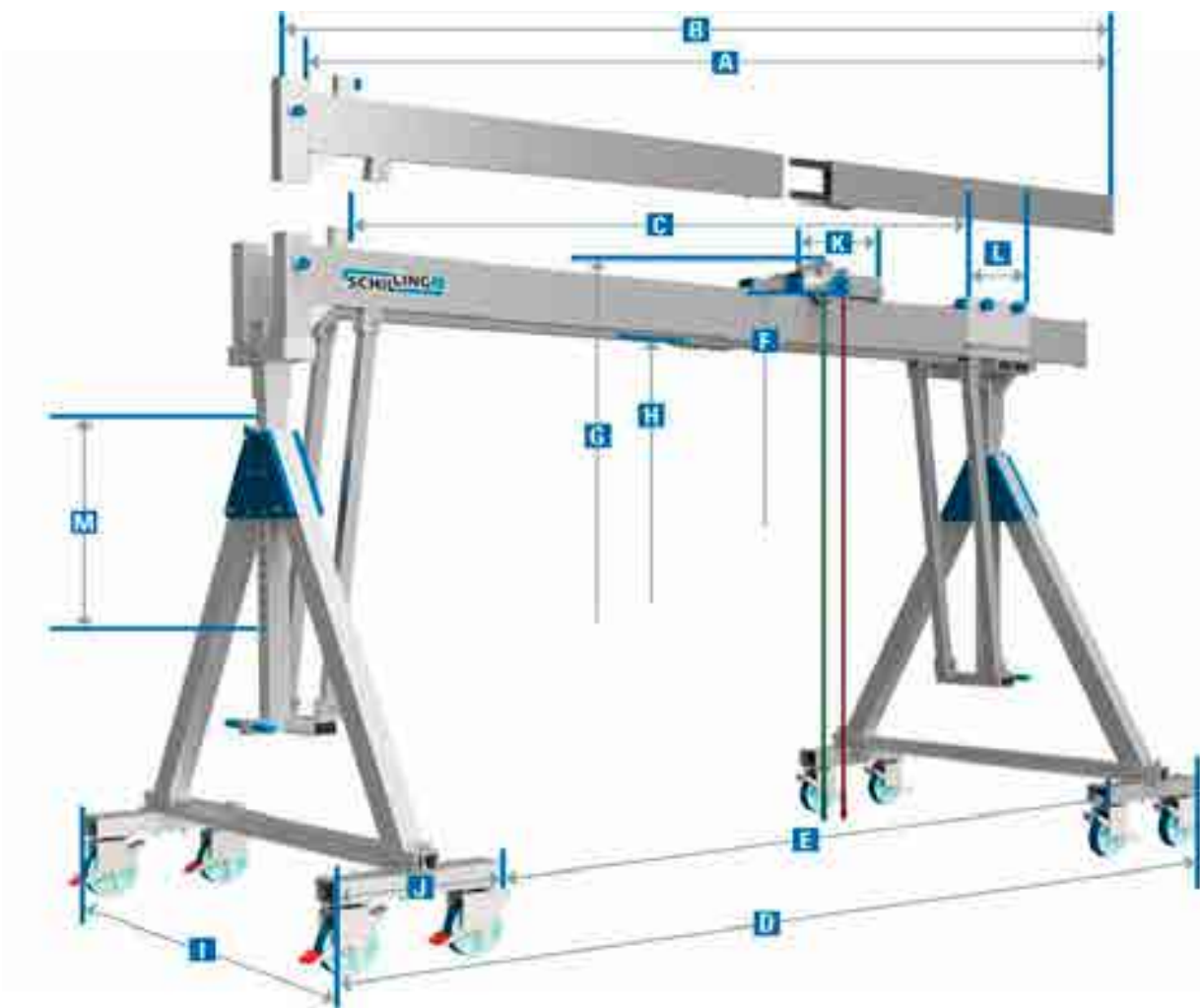
movable under load, double beam



2 t



09/2022



item no.	load capacity	beam length			total width of the crane		suspension point at the bolt of the trolley		total height		lower edge alu beam		lateral stand		park-break trolley	horizontal adjuster	adjustment range	weight
		clear width	total	usable	outside	inside	min.	max.	min.	max.	min.	max.	width	depth				
	kg	A	B	C	D	E	F		G		H		I	J	K	L	M	kg
		mm	mm	mm	mm	mm	mm	mm	mm	mm	mm	mm	mm	mm	mm	mm	mm	mm

SMALL

14402040-10	2000	4000	4100	3399	4585	3393	2138	2488	2238	2588	1871	2221	1488	596	480	421	350	326
14402050-10	2000	5000	5100	4399	5585	4393	2138	2488	2238	2588	1871	2221	1488	596	480	421	350	343
14402060-10	2000	6000	6100	5399	6585	5393	2138	2488	2238	2588	1871	2221	1488	596	480	421	350	360
14402070-10	2000	7000	7100	6399	7585	6393	2138	2488	2238	2588	1871	2221	1488	596	480	421	350	437
14402080-10	2000	8000	8100	7399	8585	7393	2138	2488	2238	2588	1871	2221	1488	596	480	421	350	463

MEDIUM

14502040-10	2000	4000	4100	3399	4585	3393	2613	3363	2713	3463	2346	3096	1988	596	480	421	750	357
14502050-10	2000	5000	5100	4399	5585	4393	2613	3363	2713	3463	2346	3096	1988	596	480	421	750	375
14502060-10	2000	6000	6100	5399	6585	5393	2613	3363	2713	3463	2346	3096	1988	596	480	421	750	392
14502070-10	2000	7000	7100	6399	7585	6393	2613	3363	2713	3463	2346	3096	1988	596	480	421	750	469
14502080-10	2000	8000	8100	7399	8585	7393	2613	3363	2713	3463	2346	3096	1988	596	480	421	750	495

HIGH

14602040-10	2000	4000	4100	3399	4585	3393	3003	4153	3104	4254	2736	3886	2312	596	480	421	1150	383
14602050-10	2000	5000	5100	4399	5585	4393	3003	4153	3104	4254	2736	3886	2312	596	480	421	1150	400
14602060-10	2000	6000	6100	5399	6585	5393	3003	4153	3104	4254	2736	3886	2312	596	480	421	1150	418
14602070-10	2000	7000	7100	6399	7585	6393	3003	4153	3104	4254	2736	3886	2312	596	480	421	1150	494
14602080-10	2000	8000	8100	7399	8585	7393	3003	4153	3104	4254	2736	3886	2312	596	480	421	1150	521





SMALL

item. no.		14402040-10	14402050-10	14402060-10	14402070-10	14402080-10
load capacity	kg	2000	2000	2000	2000	2000
beam length	mm	4000	5000	6000	7000	8000
beam support	mm	81X81	81X81	81X81	81X81	81X81
beam profile	mm	220x60	220x60	220x60	220x60*	220x60*
beam housing left		sleeve 92x92 with bump stop and connection point for brace	sleeve 92x92 with bump stop and connection point for brace	sleeve 92x92 with bump stop and connection point for brace	sleeve 92x92 with bump stop and connection point for brace	sleeve 92x92 with bump stop and connection point for brace
beam housing right		end piece	end piece	end piece	end piece	end piece
total weight	kg	326	343	360	437	463
aluminium beam	kg	101	119	136	213	239
lateral stand 1	kg	77	77	77	77	77
lateral stand 2	kg	77	77	77	77	77
trolley	kg	18	18	18	18	18
horizontal adjuster	kg	23	23	23	23	23
beam mountings	kg	9	9	9	9	9
various components	kg	21	20	20	20	20

* with larger profile thickness (inwards)

MEDIUM

item. no.		14502040-10	14502050-10	14502060-10	14502070-10	14502080-10
load capacity	kg	2000	2000	2000	2000	2000
beam length	mm	4000	5000	6000	7000	8000
beam support	mm	81X81	81X81	81X81	81X81	81X81
beam profile	mm	220x60	220x60	220x60	220x60*	220x60*
beam housing left		sleeve 92x92 with bump stop and connection point for brace	sleeve 92x92 with bump stop and connection point for brace	sleeve 92x92 with bump stop and connection point for brace	sleeve 92x92 with bump stop and connection point for brace	sleeve 92x92 with bump stop and connection point for brace
beam housing right		end piece	end piece	end piece	end piece	end piece
total weight	kg	357	375	392	469	495
aluminium beam	kg	101	119	136	213	239
lateral stand 1	kg	91	91	91	91	91
lateral stand 2	kg	91	91	91	91	91
trolley	kg	18	18	18	18	18
horizontal adjuster	kg	23	23	23	23	23
beam mountings	kg	9	9	9	9	9
various components	kg	24	24	24	24	24

* with larger profile thickness (inwards)

HIGH

item. no.		14602040-10	14602050-10	14602060-10	14602070-10	14602080-10
load capacity	kg	2000	2000	2000	2000	2000
beam length	mm	4000	5000	6000	7000	8000
beam support	mm	81X81	81X81	81X81	81X81	81X81
beam profile	mm	220x60	220x60	220x60	220x60*	220x60*
beam housing left		sleeve 92x92 with bump stop and connection point for brace	sleeve 92x92 with bump stop and connection point for brace	sleeve 92x92 with bump stop and connection point for brace	sleeve 92x92 with bump stop and connection point for brace	sleeve 92x92 with bump stop and connection point for brace
beam housing right		end piece	end piece	end piece	end piece	end piece
total weight	kg	383	400	418	494	521
aluminium beam	kg	101	119	136	213	239
lateral stand 1	kg	102	102	102	102	102
lateral stand 2	kg	102	102	102	102	102
trolley	kg	18	18	18	18	18
horizontal adjuster	kg	23	23	23	23	23
beam mountings	kg	9	9	9	9	9
various components	kg	28	27	28	27	28

* with larger profile thickness (inwards)





2 t



Alu-Gantry systems "Made in Germany"

Our quality standard is quite simple. Absolute perfection in all components. This is exactly what makes the typical SCHILLING crane. Consistent lightweight aluminium construction for easy handling. A height- and length-adjustable crane system that offers maximum flexibility thanks to the variable adjustment options.

- ▲ Space-saving due to foldable and separable crane components
- ▲ Simple and quick assembly with minimal manpower, no tools required
- ▲ Easy transport to the place of use due to compact packing size
- ▲ Movable under load

Crane components

▲ Two side frames

with a height-adjustable carrier support – grid dimension: 50 mm
with 4 sheet steel swivel castors

Heavy-duty polyurethane tread with integrated wheel and slewing ring lock.
Wheel diameter: 200 mm
Wheel width: 50 mm

The side frames can be folded up effortlessly and can therefore be stowed, stored, and transported in a space-saving manner.



▲ One set of aluminium double beams

can be partially or plugged in.

The aluminium carrier can be taken apart, for example, for transport or storage purposes and is therefore extremely space-saving.

The aluminium carrier is relatively light, mobile, quick and easy to install.

One of the two split carrier pieces can also be used as a single aluminium carrier (a set consists of two individual beams).



▲ One overhead lockable trolley

The trolley is used to accommodate the pulley or alternatively the lifting belts.

Even under full load, the trolley can be moved infinitely and locked at any position. The overhead trolley ensures maximum stroke in relation to the total height.



▲ Four stop buffers

Collision protection for the trolley

▲ One beam mounting

This means that the two aluminium beams are fixed in exact parallelism.

▲ One integrated horizontal adjuster

By using the horizontal adjuster, the usable length of the aluminium gantry crane can be infinitely moved between the side frames.

The track length of the aluminium beam is variable.

This represents a significant added value as well as a high degree of flexibility for the user.





Detailed solutions with system

Well thought-out detailed solutions, perfectly coordinated. The sum of the components results in maximum performance. Solid and durable, very easy to handle. Quite simply, quality without compromise – that is what makes a SCHILLING gantry crane.

Accessory

Original accessories from SCHILLING, what else. Exact fit to all SCHILLING components.

chain hoist



cable system / power supply



manual trolley
direction band



hand winch for
height adjustment



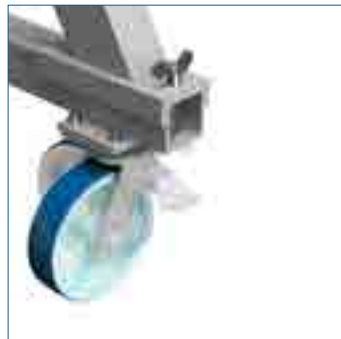
packing and
transportation box



wall bracket



casters fixed direction



variation:

casters solid rubber tires



On request, our aluminum gantry cranes are also available with this wheel combination.



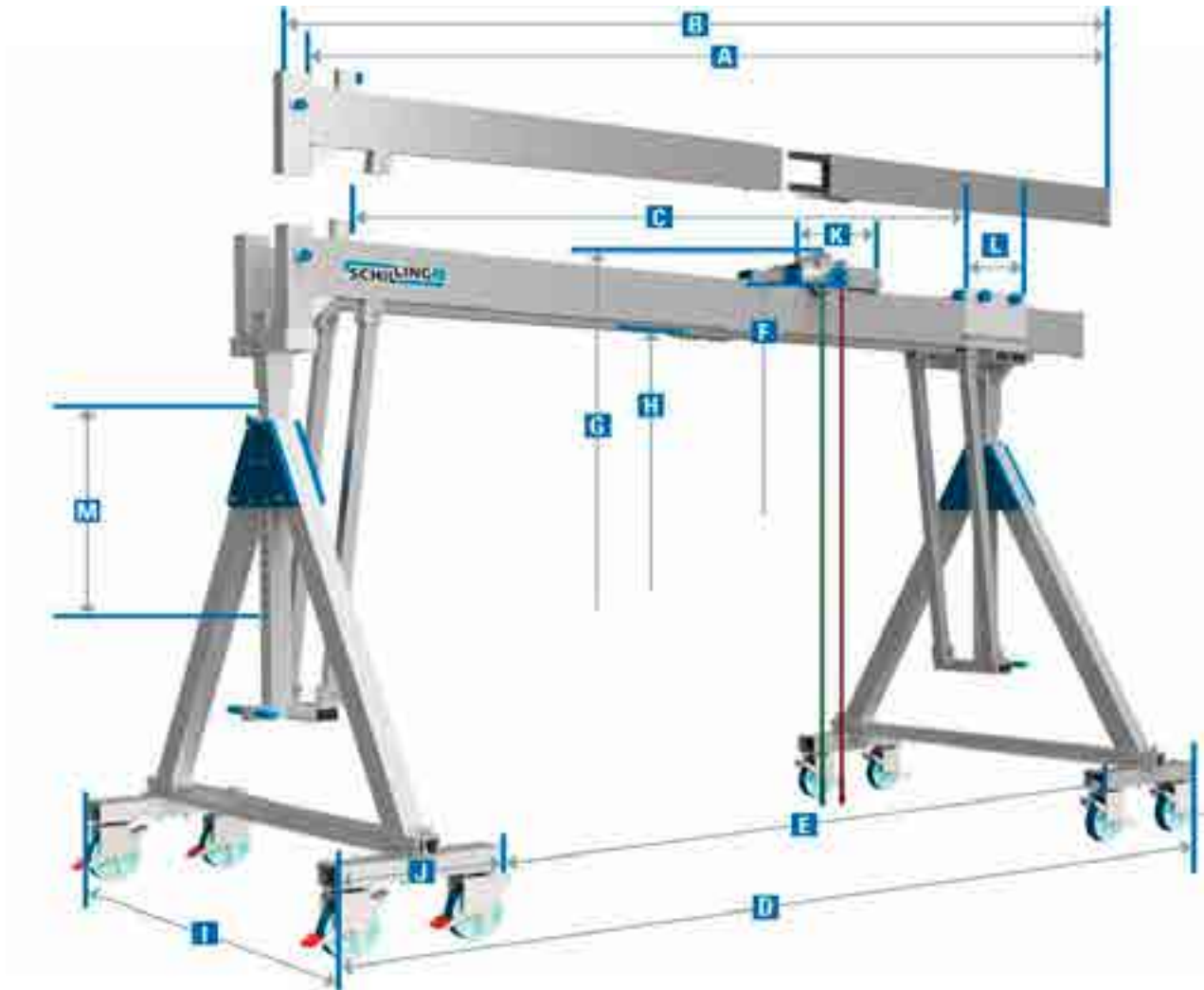
Aluminium Gantry Cranes

movable under load, double beam

▲ 3 t ▲



09/2022



item no.	load capacity	beam length			total width of the crane		suspension point at the bolt of the trolley		total height		lower edge alu beam		lateral stand		park-break trolley	horizontal adjuster	adjustment range	weight
		clear width	total	usable	outside	inside	min.	max.	min.	max.	min.	max.	width	depth				
	kg	A	B	C	D	E	F		G		H		I	J	K	L	M	kg
		mm	mm	mm	mm	mm	mm	mm	mm	mm	mm	mm	mm	mm	mm	mm	mm	mm

SMALL

14403040-10	3000	4000	4100	3399	4585	3393	2138	2488	2238	2588	1871	2221	1488	596	480	421	350	359
14403050-10	3000	5000	5100	4399	5585	4393	2138	2488	2238	2588	1871	2221	1488	596	480	421	350	385
14403060-10	3000	6000	6100	5399	6585	5393	2138	2488	2238	2588	1871	2221	1488	596	480	421	350	411

MEDIUM

14503040-10	3000	4000	4100	3399	4585	3393	2613	3363	2713	3463	2346	3096	1988	596	480	421	750	391
14503050-10	3000	5000	5100	4399	5585	4393	2613	3363	2713	3463	2346	3096	1988	596	480	421	750	417
14503060-10	3000	6000	6100	5399	6585	5393	2613	3363	2713	3463	2346	3096	1988	596	480	421	750	443

HIGH

14603040-10	3000	4000	4100	3399	4585	3393	3003	4153	3104	4254	2736	3886	2312	596	480	421	1150	416
14603050-10	3000	5000	5100	4399	5585	4393	3003	4153	3104	4254	2736	3886	2312	596	480	421	1150	442
14603060-10	3000	6000	6100	5399	6585	5393	3003	4153	3104	4254	2736	3886	2312	596	480	421	1150	468





3 t



SMALL

item. no.		14403040-10	14403050-10	14403060-10
load capacity	kg	3000	3000	3000
beam length	mm	4000	5000	6000
beam support	mm	81X81	81X81	81X81
beam profile	mm	220x60*	220x60*	220x60*
beam housing left		sleeve 92x92 with bump stop and connection point for brace	sleeve 92x92 with bump stop and connection point for brace	sleeve 92x92 with bump stop and connection point for brace
beam housing right		end piece	end piece	end piece
total weight	kg	359	385	411
aluminium beam	kg	135	161	187
lateral stand 1	kg	77	77	77
lateral stand 2	kg	77	77	77
trolley	kg	18	18	18
horizontal adjuster	kg	23	23	23
beam mountings	kg	9	9	9
various components	kg	20	20	20

* with larger profile thickness (inwards)

MEDIUM

item. no.		14503040-10	14503050-10	14503060-10
load capacity	kg	3000	3000	3000
beam length	mm	4000	5000	6000
beam support	mm	81X81	81X81	81X81
beam profile	mm	220x60*	220x60*	220x60*
beam housing left		sleeve 92x92 with bump stop and connection point for brace	sleeve 92x92 with bump stop and connection point for brace	sleeve 92x92 with bump stop and connection point for brace
beam housing right		end piece	end piece	end piece
total weight	kg	391	417	443
aluminium beam	kg	135	161	187
lateral stand 1	kg	91	91	91
lateral stand 2	kg	91	91	91
trolley	kg	18	18	18
horizontal adjuster	kg	23	23	23
beam mountings	kg	9	9	9
various components	kg	24	24	24

* with larger profile thickness (inwards)

HIGH

item. no.		14603040-10	14603050-10	14603060-10
load capacity	kg	3000	3000	3000
beam length	mm	4000	5000	6000
beam support	mm	81X81	81X81	81X81
beam profile	mm	220x60*	220x60*	220x60*
beam housing left		sleeve 92x92 with bump stop and connection point for brace	sleeve 92x92 with bump stop and connection point for brace	sleeve 92x92 with bump stop and connection point for brace
beam housing right		end piece	end piece	end piece
total weight	kg	416	442	468
aluminium beam	kg	135	161	187
lateral stand 1	kg	102	102	102
lateral stand 2	kg	102	102	102
trolley	kg	18	18	18
horizontal adjuster	kg	23	23	23
beam mountings	kg	9	9	9
various components	kg	27	27	27

* with larger profile thickness (inwards)





Double beam system with up to 3 t lifting weight

Consistent lightweight construction combined with SCHILLING's double beam technology. A height- and length-adjustable crane system that offers maximum flexibility due to the variable adjustment options.

- ▲ Space-saving due to foldable and separable crane components
- ▲ Simple and quick assembly with minimal manpower, no tools required
- ▲ Easy transport to the place of use due to compact packing size
- ▲ Movable under load

Crane components

▲ Two side frames

with a height-adjustable carrier support – grid dimension: 50 mm.

with 4 sheet steel swivel castors.

Heavy-duty polyurethane tread with integrated wheel and slewing ring lock. Wheel diameter: 200 mm. Wheel width: 50 mm.

The side frames can be folded up effortlessly and can therefore be stowed, stored, and transported in a space-saving manner.



▲ One set of aluminium double beams.

can be partially or plugged in.

The aluminium carrier can be taken apart, for example, for transport or storage purposes and is therefore extremely space-saving.

The aluminium carrier is relatively light, mobile, quick and easy to install.

One of the two split carrier pieces can also be used as a single aluminium carrier (a set consists of two individual beams).



▲ One overhead lockable trolley.

The trolley is used to accommodate the pulley or alternatively the lifting belts.

Even under full load, the trolley can be moved infinitely and locked at any position.

The overhead trolley ensures maximum stroke in relation to the total height.



▲ Four stop buffers

Collision protection for the trolley.

▲ One beam mounting

This means that the two aluminium beams are fixed in exact parallelism.

▲ One integrated horizontal adjuster

By using the horizontal adjuster, the usable length of the aluminium gantry crane can be infinitely moved between the side frames.

The track length of the aluminium beam is variable.

This represents a significant added value as well as a high degree of flexibility for the user.





Heavy-duty components for easy handling

Heavy loads, easily moved. This principle applies in particular to the gantry crane systems of the upper weight classes. The perfect coordination of all individual components makes it special. All gantry crane systems, regardless of the load classes, are characterized by extremely easy handling. All our mobile crane systems can also be moved under load.

Accessory

Original accessories from SCHILLING, what else. Exact fit to all SCHILLING components.

chain hoist



cable system / power supply



manual trolley
direction band



hand winch for
height adjustment



packing and
transportation box



wall bracket



casters fixed direction



On request, our aluminum gantry cranes are also available with this wheel combination.



In the course of technical development and to comply with our customers' requirements, figures, listings, features, dimensions and weights of products may change without any obligation or prior notice.

We are not obliged to subsequently modify products already delivered. Moreover, we reserve the right to remove items from our range of deliverable products. Operating instructions and advice on handling and security are not binding and do not replace the legal or any other regulations (e.g. professional associations) prevailing in the respective countries.

No part of this catalogue may be reproduced in any way (be reprinting, copying, microfilm and the like) or translated into machine code or stored in electronic systems and processed there without the consent of SCHILLING Kran- und Hebeteknik GmbH. We assume no liability for printing errors and faults.

Friedrichshafen, September 2022

© SCHILLING Kran- und Hebeteknik GmbH



Conditions of Sale, Delivery and Payment of SCHILLING Kran- und Hebetchnik GmbH

09/2022

1. Scope

The General Terms and Conditions stipulated hereafter apply to any order. Opposite or different terms and conditions of the purchaser apply only after our explicit written confirmation. We do not accept protection clauses of the purchaser.

2. Offer and Order

Orders placed with us, modifications or amendments as well as subsidiary agreements are only effective when in writing. Orders placed orally, by telephone or in any other form (text form) are considered as accepted by our written order confirmation.

3. Prices / Terms of Payment

The prices according to the price list valid at the moment of order placement apply. They are without engagement and in EURO ex works, without packing, freight, postage, insurance and other fees, plus the legal VAT.

For custom-made equipment, the prices stated in the order confirmation or separate calculation apply; for the rest as indicated above. Unless otherwise agreed in writing, our invoices shall be payable as follows:

Within 10 days after date of invoice less 2% discount

Within 20 days after date of invoice net

The cost for payments are at the purchaser's expense, in case of delay in payment, we invoice interest in the amount of 5% above the discount rate of the Deutsche Bundesbank (German Central Bank).

4. Delivery

The agreed period of delivery starts with the date of the order confirmation, for custom-made equipment only after clarification of all details relating to the execution of the order. Fixed dates are only effective when confirmed by an explicit written confirmation. In case of a delay in delivery, the purchaser is obliged to grant an additional period of time of reasonable length which shall be at least two weeks, together with a threat of rejection. After this additional period of time, the purchaser is entitled to withdraw from the contract.

Force majeure, disturbances of traffic or breakdowns, strike, lack of material or non-supply entitle us to extend the times of delivery accordingly unless we are responsible for the non-supply or the delay. Claims for damages due to a delay in delivery or non-delivery may only be asserted if we have acted with specific intent and this can be proven.

5. Packing, Shipment, Passing of Risk

Packing, shipment and passing of risk are determined by us unless otherwise agreed. Small parts and spare parts are sent by parcel service, all other products by forwarding agent. Shipping cost, freight and insurance are at the purchaser's expense. Risk passes to the purchaser when the goods are delivered to the parcel service, the forwarding agent or the freight carrier. Packing is at reasonable discretion at our expense, unless the purchaser has ordered a special packing (seaworthy box, etc.). Delivery is only made to the delivery address stated in the order confirmation. The forwarding agent has to be notified immediately of any transport damages. Transport damages have to be handled by the purchaser. They do not influence the due date of our claims for payment.

6. Warranty, Technical Modifications

We guarantee for all of the products manufactured and / or sold by us for one (1) year starting as of the day of delivery.

The warranty claims are first limited to the right of subsequent performance at our choice (repair of the defect or delivery of a product free of defects). Our failure of repair entitles the purchaser to withdraw from the contract to request a reduction of the sales price. Any warranty claims resulting from defects due to incorrect mounting or start-up, particularly overload and lack of stability, as well as foreign spare and mounting parts are excluded. We cannot be held responsible for any optical defects.

The purchaser has to notify us of apparent defects within two weeks after delivery, if the purchaser culpably fails to observe this time limit, we cannot be held responsible anymore.

We explicitly reserve the right of technical modifications and further development in construction and design of our products.

7. Claims for Damages

We shall not be held responsible for claims for other damages irrespective of the cause in law unless these claims for damages are due to a grossly negligent breach of duty on our part or an intentional or grossly negligent breach of duty of our legal representative or a person employed by us in the performance of our duty.

This does not apply to the responsibility for damages resulting from injury of life, body or health due to a grossly negligent breach of duty on our part or an intentional or grossly negligent breach of duty of our legal representative or a person employed by us in the performance of our duty.

8. Reservation of Ownership

We reserve the right of ownership for the goods supplied by us until complete settlement of all claims arising under the contract. We are entitled to take back the goods supplied in case of delay in payment without declaring the withdrawal from the contract. The purchaser has the right to resell the supplied goods in an ordinary business transaction. He assigns already now to us all claims resulting from the resale towards his customer or third parties up to the amount of our unsettled claims. This assignment is accepted by us by now.

We are entitled to disclose the assignment and to request payments directly to us unless the purchaser meets his current financial obligations towards us and there is no levy of execution against him, a request for opening the insolvency proceedings is not made and payments are not suspended. If there is an excessive security of our claims amounting to more than 20% due to the agreed reservation of ownership, we are obliged, upon request of the purchaser, to release at our own option securities amounting to the excess value.

9. Place of Fulfillment and Jurisdiction, Choice of Law

For all obligations arising from this contract, provided that the purchaser is a fully qualified merchant, the Tettngang County Court competent for Friedrichshafen or the Ravensburg Regional Court as general place of jurisdiction are agreed upon. Our right to bring an action against the purchaser remains unaffected. The contract is ruled by the right of the Federal Republic of Germany to the exclusion of the United Nations Convention on Contracts for the International Sale of Goods as of April 11, 1980 (UN right of sale).

Friedrichshafen, September 2022

© SCHILLING Kran- und Hebetchnik GmbH

